

PZ[©]turn

Modular quick-change system



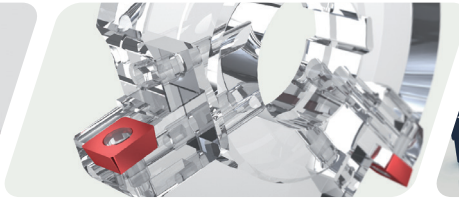
HARRY HERSBACH TOOLS BV
specialist in machining tools

MAS[®]
TOOLS & ENGINEERING



PEOPLE

Cooperate in fair partnership



AMBITION

Question yesterday to provide new solutions for today and tomorrow



SYNERGY

Share our strength

Corporate philosophy

PEOPLE – AMBITION – SYNERGY

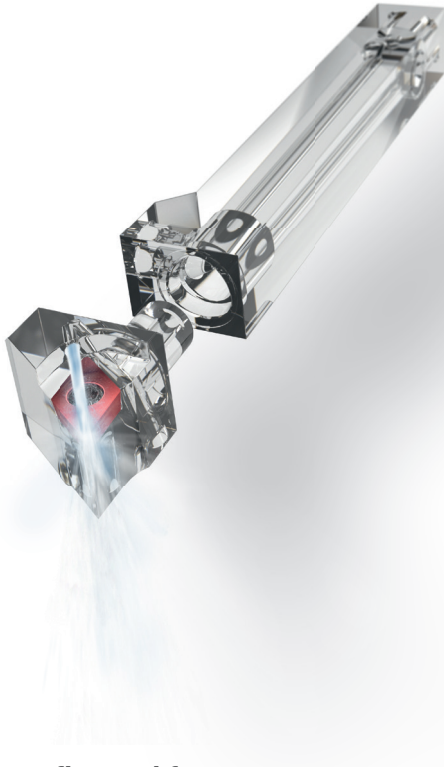
These 3 components are the foundation for the success of MAS GmbH.

Trust the experts with more than 40 years of experience in machining technologies. The specialists with the most modern equipment for the development, design and manufacture of tools. The partners who discover synergies between human and technology and who are able to harness them for your success.

The utmost objective of every project is our customers and partners success. Our own success goes hand in hand.

This is and will remain our way for the future!





Contents

Benefits and features		4
System of order numbers		5
Shank series	Square shank	6
Cutting heads	Series:	7
	SCLC...	8
	SCLC...with shim	8
	SDAC...; SDHC...; SDJC...; SDJN...; SDNC...	8
	SVHC...; SVJC...; SVJB...; SVNB...; SVNC...	13
	LNEX; SWISSline inserts	16
	GND...; GXM...	18
	MA...SWISSline	21
	PC...	23
	PD...	24
	DWLN...	25
	PTFN...; PTGN...	26
	TGAR	27
	STS...thread cutting; IN [®] turn	27
	CXJB...; SWISSline XBG 20° inserts	28
	ER...thread cutting	29
Blanks and blind plugs		30
Special solutions		33
Accessories		37



PZ[®]turn

Benefits and features

- Quick-change system with only one clamping screw
- Available square shanks: 10/12/16 mm – inch: 1/2" (12.7 mm) / 5/8" (15.88 mm)
- Cutting head suitable for metric and inch shank
- Highest level of precision even in terms of center height
- Multipurpose for all sliding head and multispindle lathes
- Inner coolant through holder
- Optimal accessibility when changing inserts

System of order numbers

Shanks

PZ@turn	1	2	3	4
metric PZ	1212	R	84	X
imperial PZ	12.7-12.7	R	84	X

Designation system

1	Interface	1212 12.7-12.7	Square shank 12 x 12 mm Square shank 12.7 x 12.7 mm (1/2")
2	Version	R	Right-hand
3	For shanks	84	Length (mm)
4		X	Code for special products

Cutting heads

PZ@turn	1	2	3	4	5	6
PZ	12	K	SCLCR	0616	09	X

Designation system

1	Interface	12	Square shank 12 mm (suitable for all 12 mm or 12.7 mm (1/2") shanks)
2	Version	K	Cutting head
3	Type	SCLCR	Insert type, clamping; mounting position
4	Cutting head size	0616	Dimensions
5	Indexable insert	09	Insert size
6		X	Code for special products

Shanks

Square shanks



Square shank	Order number	L	L1	H	H1	H2	Internal cooling connection thread
10	PZ1010R-84	84	71	10	13,5	17,6	M8x1x6
12	PZ1212R-84	84	71	12	16	20,2	M8x1x6
16	PZ1616R-84	84	71	16	20	25,5	G1/8"
1/2"	PZ12.7-12.7R-84	84	71	12,7	16	20,2	5/16"-24 UNF
5/8"	PZ15.8-15.8R-84	84	71	15,8	20	25,5	5/16"-24 UNF

- Steel series
- Special lengths available on request
- Supplied with hexagon head screw
- A Torx screw can also be supplied as a spare part

SPARE PARTS CLAMPING SCREWS

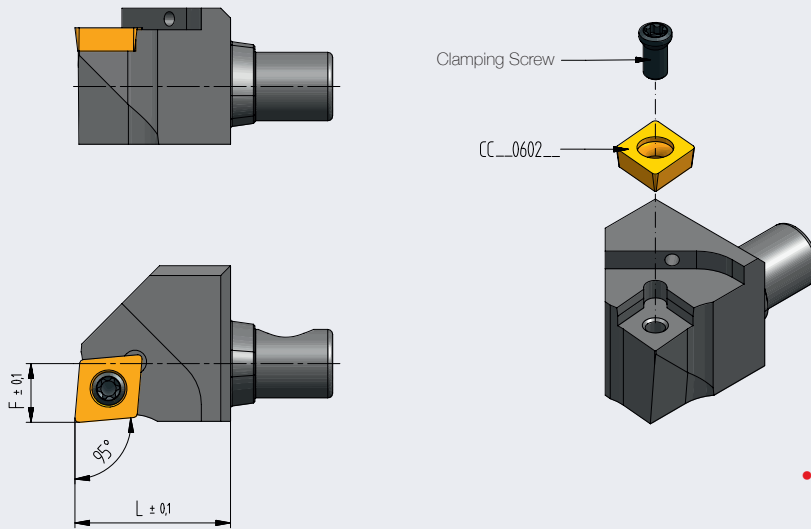
for shank	HEXAGON HEAD SCREW			TORX (alternativ)		
	Order number	AF(mm)	Tightening	Order number	Insert	Tightening
10	M5x0.5x7x60-E22259	SW3,5	3Nm/27lb-in	M5X0.5X7X60-E19303	T10	3Nm/27lb-in
12	M5x0.5x9.5x60-E17019	SW3,5	3Nm/27lb-in	M5x0.5x9.5x60-E274	T10	3Nm/27lb-in
16	M6x0.75x10.5x60-E19291	SW4,5	4Nm/35lb-in	M6x0.75x10.5x60-E17151	T20	4Nm/35lb-in
1/2"	M5x0.5x5x60-E17019	SW3,5	3Nm/27lb-in	M5x0.5x5x60-E274	T10	3Nm/27lb-in
5/8"	M6x0.75x10.5x60-E19291	SW4,5	4Nm/35lb-in	M6x0.75x10.5x60-E17151	T20	4Nm/35lb-in

SPARE PARTS BLIND PLUGS FOR COOLANT CONNECTION

for shank	Order number	AF(mm)
10 / 12	M8X1X6 GEWINDESTIFT DIN913	SW4
16	HYD-S28	SW5
1/2"	HYD-S1886	SW5/32"
5/8"	HYD-S1886	SW5/32"

Cutting heads

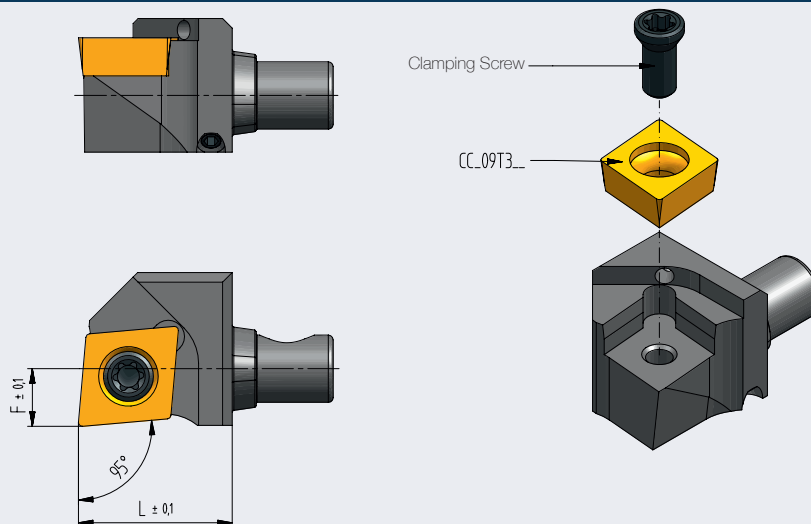
SCLCR/L...06



	Size	F	L	Indexable insert	Order number	Clamping screw	
NEW	10	5	16	CC...0602	PZ10-K-SCLCR-0516-06	BFTX02506N 1,5Nm/13lb-in	○
	12 (1/2")	6	16	CC...0602	PZ12-K-SCLCR-0616-06	BFTX02506N 1,5Nm/13lb-in	●
	16 (5/8")	8	16	CC...0602	PZ16-K-SCLCR-0816-06	BFTX02506N 1,5Nm/13lb-in	●
NEW	10	8	16	CC...0602	PZ10-K-SCLCL-0816-06	BFTX02506N 1,5Nm/13lb-in	○
NEW	12 (1/2")	10	16	CC...0602	PZ12-K-SCLCL-1016-06	BFTX02506N 1,5Nm/13lb-in	○

● in stock ○ on request

SCLCR/L...09

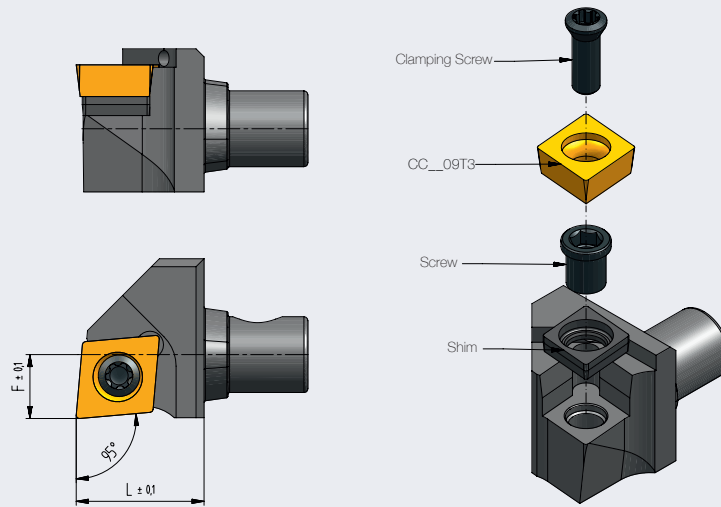


	Size	F	L	Indexable insert	Order number	Clamping screw	
NEW	10	5	16	CC...09T3	PZ10-K-SCLCR-0516-09	BFTX03588 3,4Nm/30lb-in	○
	12 (1/2")	6	16	CC...09T3	PZ12-K-SCLCR-0616-09	BFTX03588 3,4Nm/30lb-in	●
	16 (5/8")	8	16	CC...09T3	PZ16-K-SCLCR-0816-09	BFTX03588 3,4Nm/30lb-in	●
NEW	12 (1/2")	10	16	CC...09T3	PZ12-K-SCLCL-1016-09	BFTX03588 3,4Nm/30lb-in	○
NEW	16 (5/8")	12	16	CC...09T3	PZ16-K-SCLCL-1216-09	BFTX03588 3,4Nm/30lb-in	○

● in stock ○ on request

Cutting heads

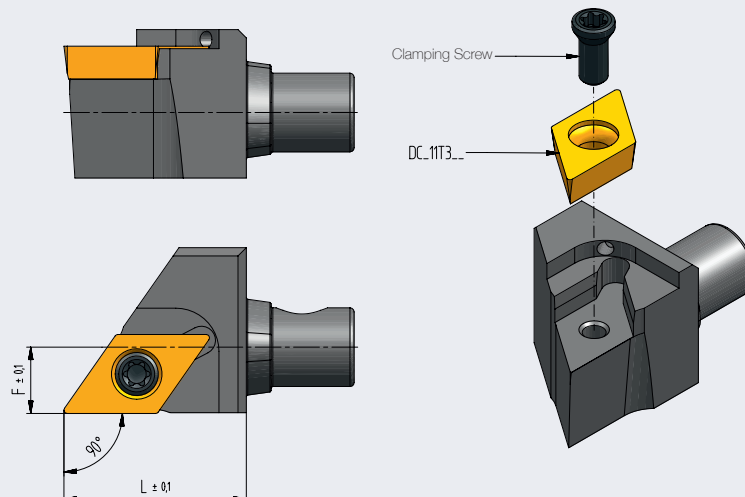
SCLCR...09-X with shim



Cutting head					Spare parts			
Size	F	L	Indexable insert	Order number	Shim	Clamping screw	Screw	
16 (5/8")	8	16	CC...09T3	PZ16-K-SCLCR-0816-09-X	3609	123511P 3Nm	BLC7	<input type="radio"/>

● in stock ○ on request

SDACR...11

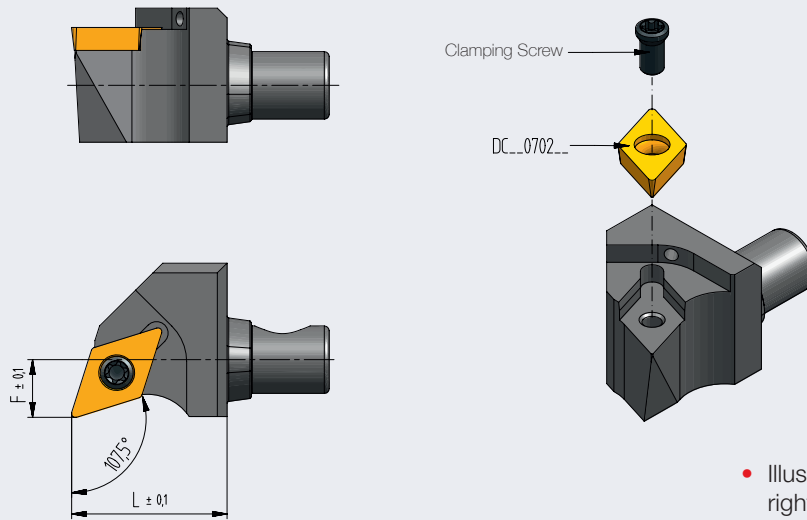


Size	F	L	Indexable insert	Order number	Clamping screw	
16 (5/8")	8	22	DC...11T3	PZ16-K-SDACR-0822-11	BFTX03588 3,4Nm/30lb-in	<input type="radio"/>

● in stock ○ on request

Cutting heads

SDHCR/L...07

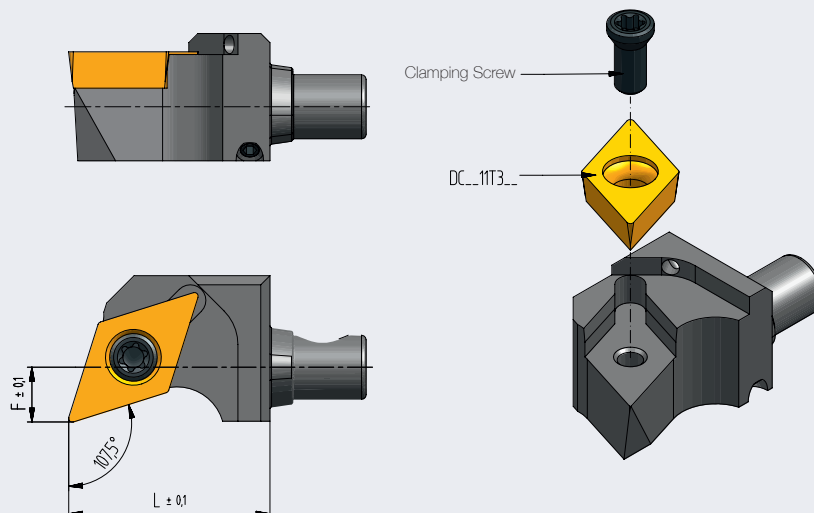


• Illustration shows right version

	Size	F	L	Indexable insert	Order number	Clamping screw	
NEW	10	5	16	DC...0702	PZ10-K-SDHCR-0516-07	BFTX02506N 1,5Nm/13lb-in	○
	12 (1/2")	6	16	DC...0702	PZ12-K-SDHCR-0616-07	BFTX02506N 1,5Nm/13lb-in	●
	16 (5/8")	8	16	DC...0702	PZ16-K-SDHCR-0816-07	BFTX02506N 1,5Nm/13lb-in	●
NEW	10	8	16	DC...0702	PZ10-K-SDHCL-0816-07	BFTX02506N 1,5Nm/13lb-in	○

● in stock ○ on request

SDHCR...11

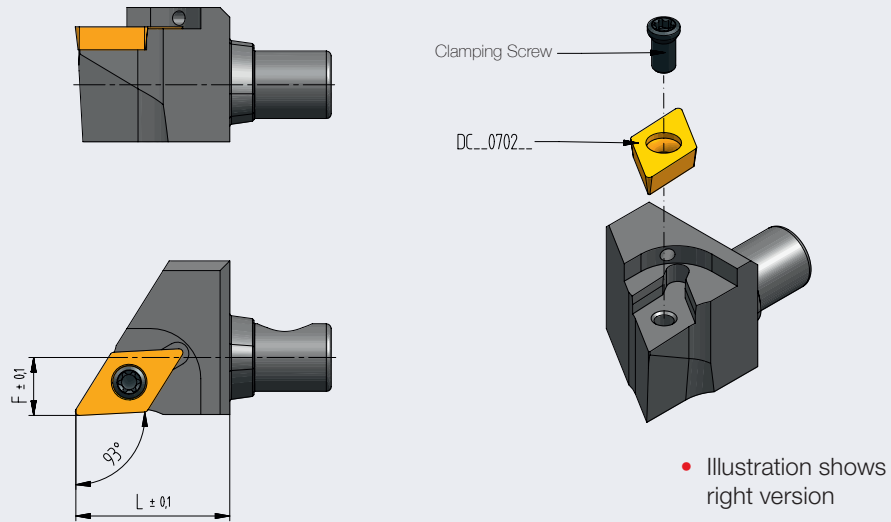


	Size	F	L	Indexable insert	Order number	Clamping screw	
	12 (1/2")	6	22	DC...11T3	PZ12-K-SDHCR-0622-11	BFTX03588 3,4Nm/30lb-in	●
	16 (5/8")	8	22	DC...11T3	PZ16-K-SDHCR-0822-11	BFTX03588 3,4Nm/30lb-in	●

● in stock ○ on request

Cutting heads

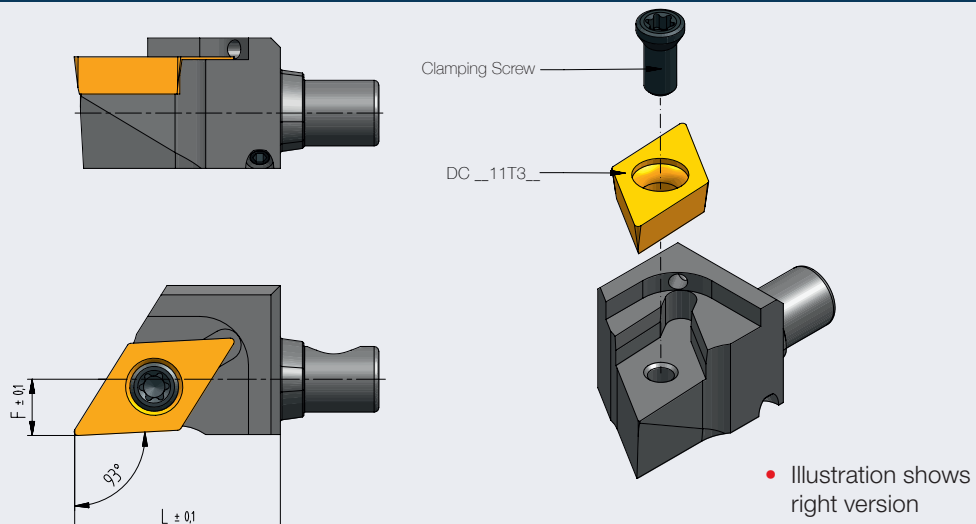
SDJCR/L...07



	Size	F	L	Indexable insert	Order number	Clamping screw	
NEW	10	5	16	DC...0702	PZ10-K-SDJCR-0516-07	BFTX02506N 1,5Nm/13lb-in	○
	12 (1/2")	6	16	DC...0702	PZ12-K-SDJCR-0616-07	BFTX02506N 1,5Nm/13lb-in	●
	16 (5/8")	8	16	DC...0702	PZ16-K-SDJCR-0816-07	BFTX02506N 1,5Nm/13lb-in	●
NEW	10	8	16	DC...0702	PZ10-K-SDJCL-0816-07	BFTX02506N 1,5Nm/13lb-in	○
	12 (1/2")	10	16	DC...0702	PZ12-K-SDJCL-1016-07	BFTX02506N 1,5Nm/13lb-in	○
	16 (5/8")	12	16	DC...0702	PZ16-K-SDJCL-1216-07	BFTX02506N 1,5Nm/13lb-in	○

● in stock ○ on request

SDJCR/L...11

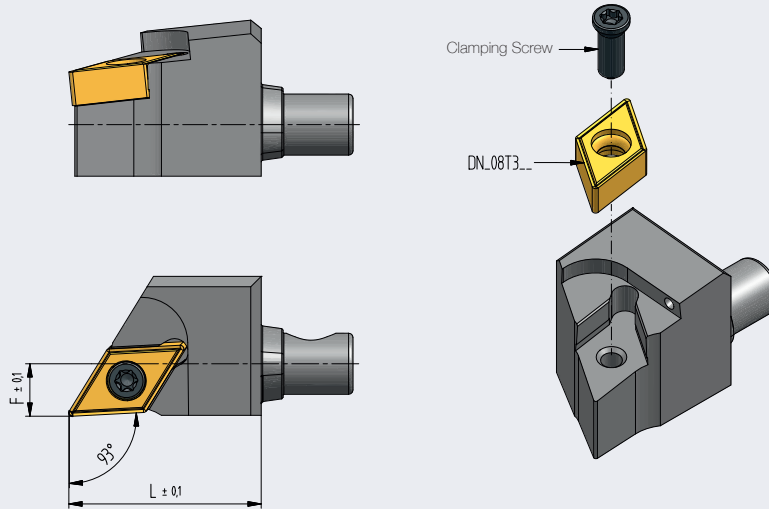


	Size	F	L	Indexable insert	Order number	Clamping screw	
NEW	10	5	20	DC...11T3	PZ10-K-SDJCR-0520-11	BFTX03588N 3,4Nm/30lb-in	○
	12 (1/2")	6	22	DC...11T3	PZ12-K-SDJCR-0622-11	BFTX03588N 3,4Nm/30lb-in	●
	16 (5/8")	8	22	DC...11T3	PZ16-K-SDJCR-0822-11	BFTX03588N 3,4Nm/30lb-in	●
NEW	12 (1/2")	10	22	DC...11T3	PZ12-K-SDJCL-1022-11	BFTX03588N 3,4Nm/30lb-in	○
	16 (5/8")	12	22	DC...11T3	PZ16-K-SDJCL-1222-11	BFTX03588N 3,4Nm/30lb-in	●

● in stock ○ on request

Cutting heads

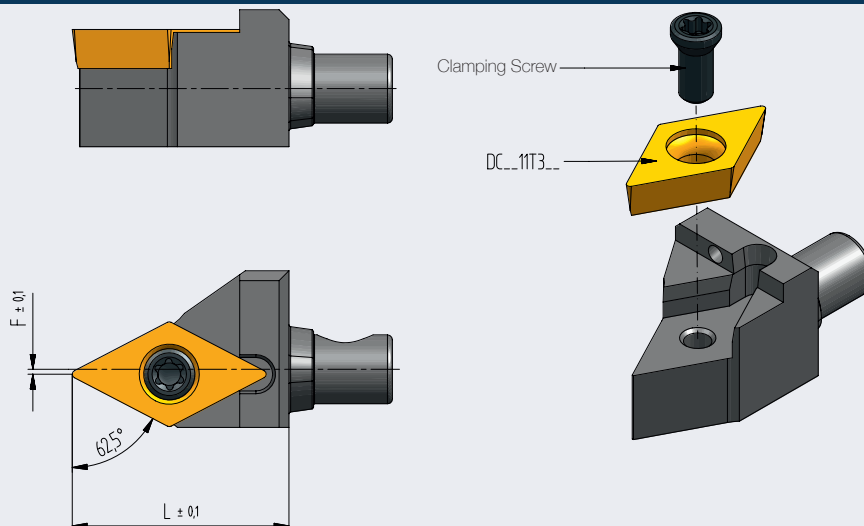
SDJNR...08



Size	F	L	Indexable insert	Order number	Clamping screw
12 (1/2")	6	22	DN...08T3	PZ12-K-SDJNR-0622-08	BFTX0309N 2Nm/18lb-in <input type="radio"/>
16 (5/8")	8	22	DN...08T3	PZ16-K-SDJNR-0822-08	BFTX0309N 2Nm/18lb-in <input type="radio"/>

● in stock ○ on request

SDNCN...11

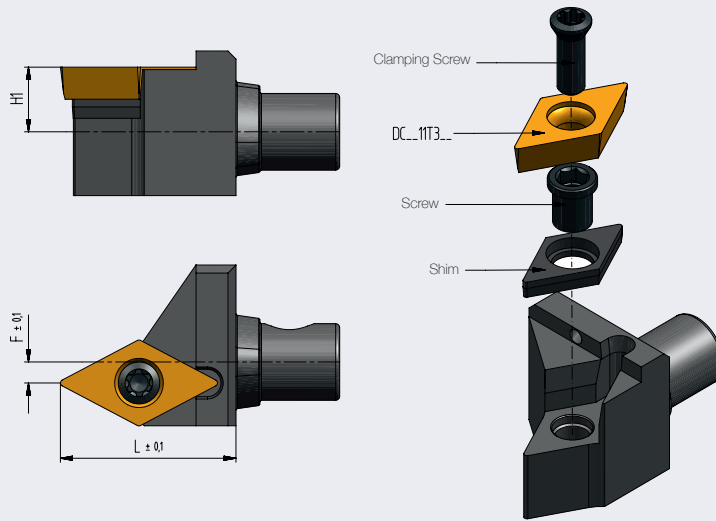


Size	F	L	Indexable insert	Order number	Clamping screw
12 (1/2")	0,5	22	DC...11T3	PZ12-K-SDNCN-0022-11	BFTX03588 3,4Nm/30lb-in <input checked="" type="radio"/>
16 (5/8")	3	22	DC...11T3	PZ16-K-SDNCN-0322-11	BFTX03588 3,4Nm/30lb-in <input checked="" type="radio"/>

● in stock ○ on request

Cutting heads

SDNCN-0322-11-X

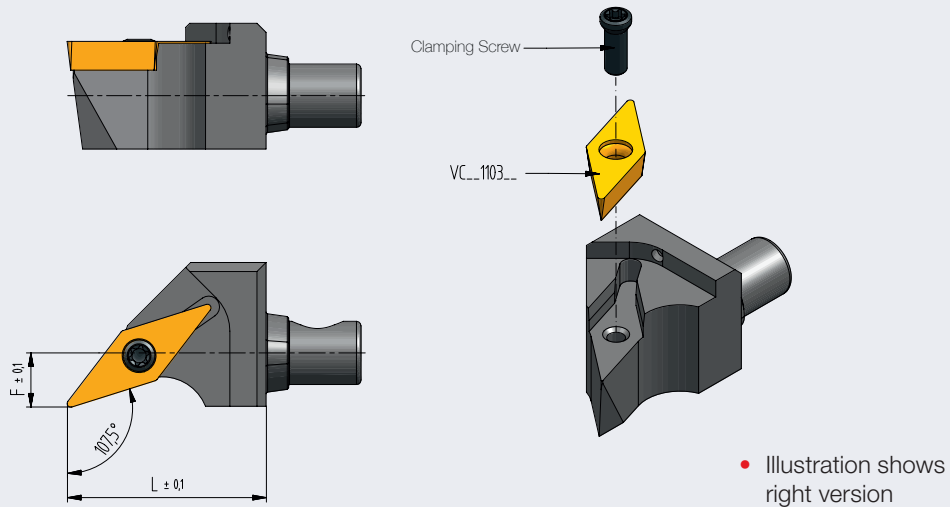


Cutting head					Spare parts			
Size	F	L	Indexable insert	Order number	Shim	Clamping screw	Screw	
NEW 16 (5/8")	3	22	DC...11T3	PZ16-K-SDNCN-0322-11-X	3711	123511P 3Nm	BLC7	<input type="radio"/>

in stock on request

Cutting heads

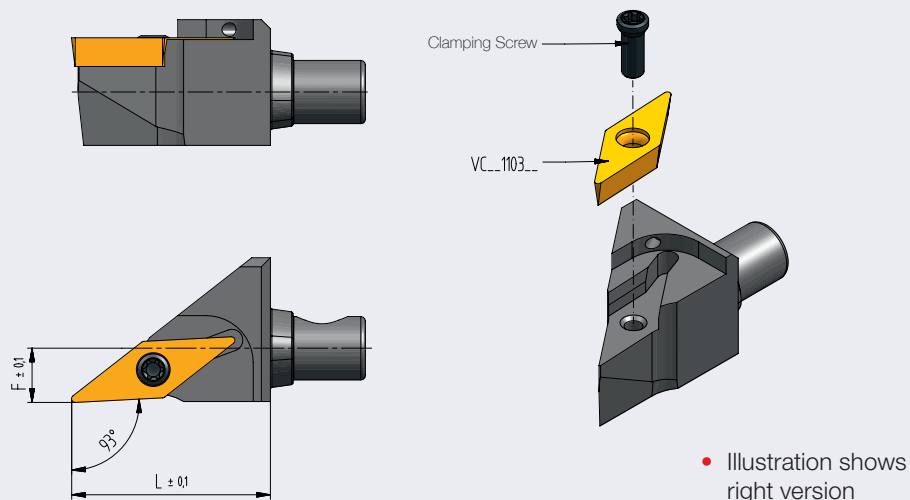
SVHCR/L...11



	Size	F	L	Indexable insert	Order number	Clamping screw	
NEW	10	5	22	VC...1103	PZ10-K-SVHCR-0522-11	BFTX02508NV 1,5Nm/13lb-in	○
	12 (1/2")	6	22	VC...1103	PZ12-K-SVHCR-0622-11	BFTX02508NV 1,5Nm/13lb-in	●
	16 (5/8")	8	22	VC...1103	PZ16-K-SVHCR-0822-11	BFTX02508NV 1,5Nm/13lb-in	●
NEW	10	8	22	VC...1103	PZ10-K-SVHCL-0822-11	BFTX02508NV 1,5Nm/13lb-in	○
	12 (1/2")	10	22	VC...1103	PZ12-K-SVHCL-1022-11	BFTX02508NV 1,5Nm/13lb-in	○

● in stock ○ on request

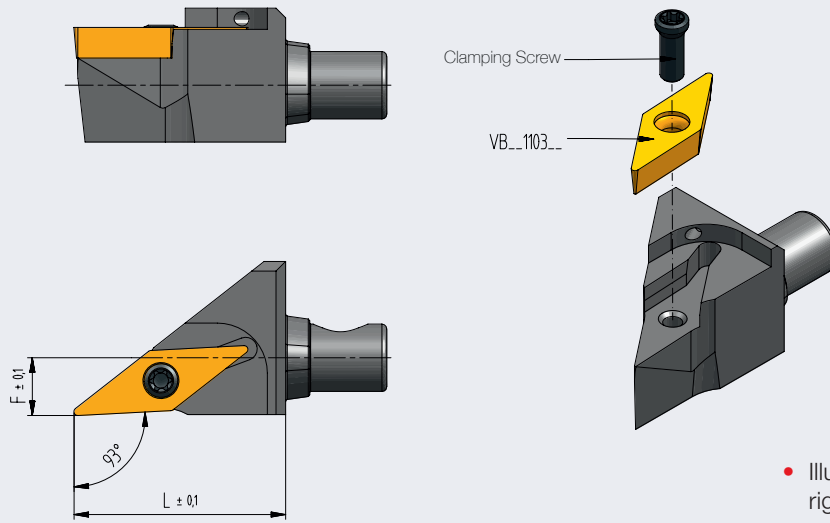
SVJCR/L...11



	Size	F	L	Indexable insert	Order number	Clamping screw	
NEW	10	5	22	VC...1103	PZ10-K-SVJCR-0522-11	BFTX02508NV 1,5Nm/13lb-in	○
	12 (1/2")	6	22	VC...1103	PZ12-K-SVJCR-0622-11	BFTX02508NV 1,5Nm/13lb-in	●
	16 (5/8")	8	22	VC...1103	PZ16-K-SVJCR-0822-11	BFTX02508NV 1,5Nm/13lb-in	●
NEW	10	8	22	VC...1103	PZ10-K-SVJCL-0816-11	BFTX02508NV 1,5Nm/13lb-in	○
	12 (1/2")	10	22	VC...1103	PZ12-K-SVJCL-1022-11	BFTX02508NV 1,5Nm/13lb-in	○
	16 (5/8")	12	22	VC...1103	PZ16-K-SVJCL-1222-11	BFTX02508NV 1,5Nm/13lb-in	○

Cutting heads

SVJBR/L...11

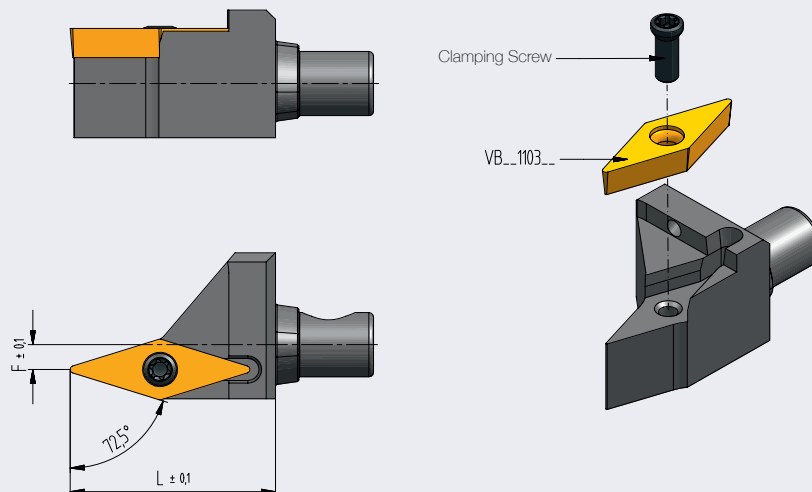


• Illustration shows right version

Size	F	L	Indexable insert	Order number	Clamping screw	
NEW 12 (1/2")	6	22	VB...1103	PZ12-K-SVJBR-0622-11	BFTX02508NV 1,5Nm/13lb-in	●
16 (5/8")	8	22	VB...1103	PZ16-K-SVJBR-0822-11	BFTX02508NV 1,5Nm/13lb-in	●
16 (5/8")	10	22	VB...1103	PZ16-K-SVJBL-1022-11	BFTX02508NV 1,5Nm/13lb-in	○

● in stock ○ on request

SVNBN...11



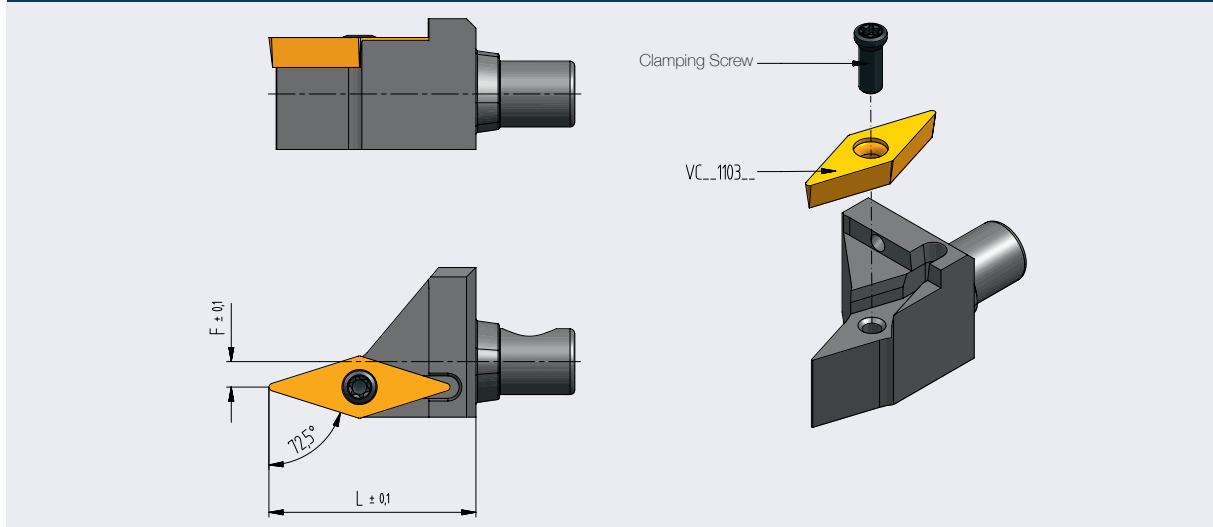
Size	F	L	Indexable insert	Order number	Clamping screw	
12 (1/2")	3	22	VB...1103	PZ12-K-SVNBN-0322-11	BFTX02508NV 1,5Nm/13lb-in	○
16 (5/8")	5	22	VB...1103	PZ16-K-SVNBN-0522-11	BFTX02508NV 1,5Nm/13lb-in	○
NEW 12 (1/2")	3	22	VB...1102*	PZ12-K-SVNBN-0322-11-E23136	BFTX02506N 1,5Nm/13lb-in	○

* use a VB..1102 insert for the SVNBN..11 head

● in stock ○ on request

Cutting heads

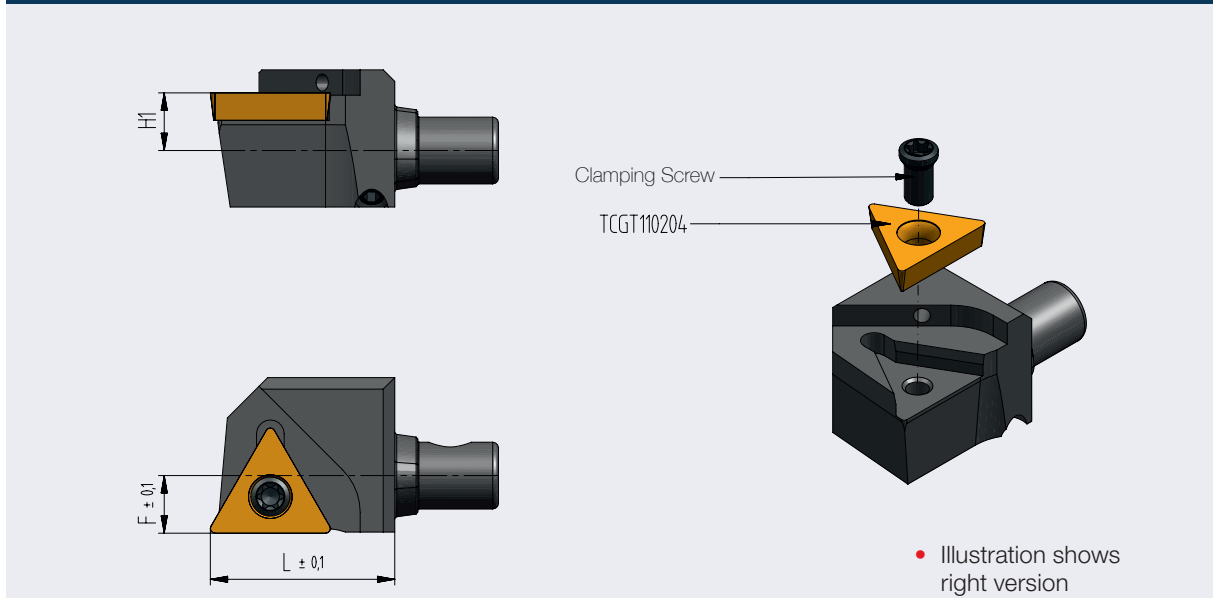
SVNCN...11



Size	F	L	Indexable insert	Order number	Clamping screw	
NEW 10	2	22	VC...1103	PZ10-K-SVNCN-0222-11	BFTX02508NV 1,5Nm/13lb-in	<input type="radio"/>
12 (1/2")	3	22	VC...1103	PZ12-K-SVNCN-0322-11	BFTX02508NV 1,5Nm/13lb-in	<input type="radio"/>
16 (5/8")	5	22	VC...1103	PZ16-K-SVNCN-0522-11	BFTX02508NV 1,5Nm/13lb-in	<input type="radio"/>

● in stock ○ on request

STGCR/L.11

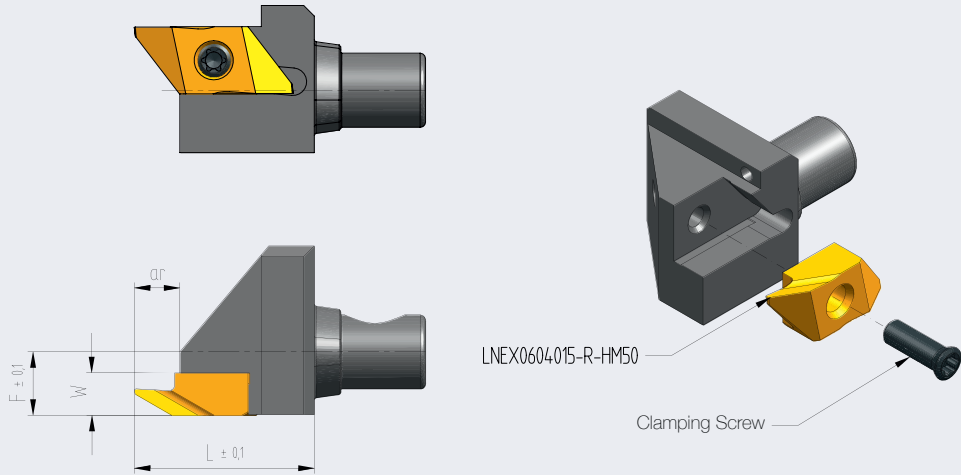


Size	F	L	Indexable insert	Order number	Clamping screw	
NEW 10	5	16	TC...1102	PZ10-K-STGCR-0516-11	BFTX02506N 1,5Nm/13lb-in	5 <input type="radio"/>
NEW 10	8	16	TC...1102	PZ10-K-STGCL-0816-11	BFTX02506N 1,5Nm/13lb-in	5 <input type="radio"/>

● in stock ○ on request

Cutting heads

LNEX

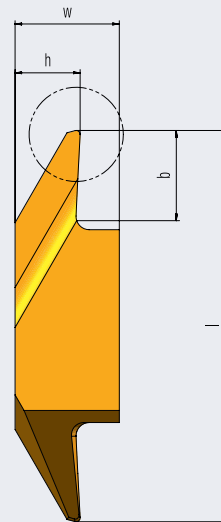
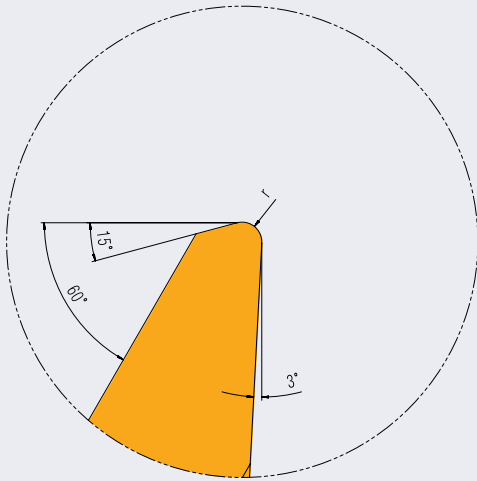


• Illustration shows right version

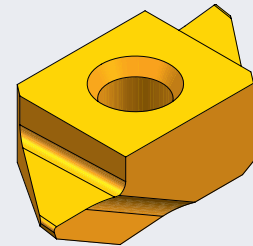
	Size	F	L	Indexable insert	Order number	Clamping screw	W	ar	
NEW	10	5	17	H-L0602	PZ10-K-LNEX-0517-0602	M2,5 x 5,5T x8 3Nm/27lb-in	2,5	4,3	○
	12 (1/2")	6	17	H-L0602	PZ12-K-LNEX-0617-0602	M2,5 x 5,5T x8 3Nm/27lb-in	2,5	4,3	●
	16 (5/8")	8	17	H-L0602	PZ16-K-LNEX-0817-0602	M2,5 x 5,5T x8 3Nm/27lb-in	2,5	4,3	●
NEW	10	5	17	H-L0604	PZ10-K-LNEX-0517-0604	M2,5 x 5,5T x8 3Nm/27lb-in	4	4,3	○
	12 (1/2")	6	17	H-L0604	PZ12-K-LNEX-0617-0604	M2,5 x 5,5T x8 3Nm/27lb-in	4	4,3	○
	16 (5/8")	8	17	H-L0604	PZ16-K-LNEX-0817-0604	M2,5 x 5,5T x8 3Nm/27lb-in	4	4,3	●
NEW	12 (1/2")	6	28	H-L1004	PZ12-K-LNEX-0628-1004	M3,5 x 8,6T x15 3,4Nm/30lb-in	4	6,3	○
NEW	16 (5/8")	8	28	H-L1004	PZ16-K-LNEX-0828-1004	M3,5 x 8,6T x15 3,4Nm/30lb-in	4	6,3	○
NEW	12 (1/2")	6	28	H-L1006	PZ12-K-LNEX-0628-1006	M3,5 x 11T x15 3,4Nm/30lb-in	6	6,3	○
NEW	16 (5/8")	8	28	H-L1006	PZ16-K-LNEX-0828-1006	M3,5 x 11T x15 3,4Nm/30lb-in	6	6,3	○
NEW	16 (5/8")	8	28	H-L1008	PZ16-K-LNEX-0828-1008	M3,5 x 15T x15 3,4Nm/30lb-in	8	6,3	○

● in stock ○ on request

SWISS[®]line LNEX insert for LNEX head



• Illustration shows right version



Execution	Order number	Coating	l	b	h	W	r	
right-hand	LNEX0604015-R-HM20	no	14	3,5	2,5	4	0,15	●
right-hand	LNEX0604010-R-HM20	no	14	3,5	2,5	4	0,10	●
right-hand	LNEX0604005-R-HM20	no	14	3,5	2,5	4	0,05	●
right-hand	LNEX0604015-R-HM50	yes	14	3,5	2,5	4	0,15	●
right-hand	LNEX0604010-R-HM50	yes	14	3,5	2,5	4	0,10	●
right-hand	LNEX0604005-R-HM50	yes	14	3,5	2,5	4	0,05	●
left-hand	LNEX0604015-L-HM20	no	14	3,5	2,5	4	0,15	●
left-hand	LNEX0604010-L-HM20	no	14	3,5	2,5	4	0,10	●
left-hand	LNEX0604005-L-HM20	no	14	3,5	2,5	4	0,05	●
left-hand	LNEX0604015-L-HM50	yes	14	3,5	2,5	4	0,15	●
left-hand	LNEX0604010-L-HM50	yes	14	3,5	2,5	4	0,10	●
left-hand	LNEX0604005-L-HM50	yes	14	3,5	2,5	4	0,05	●

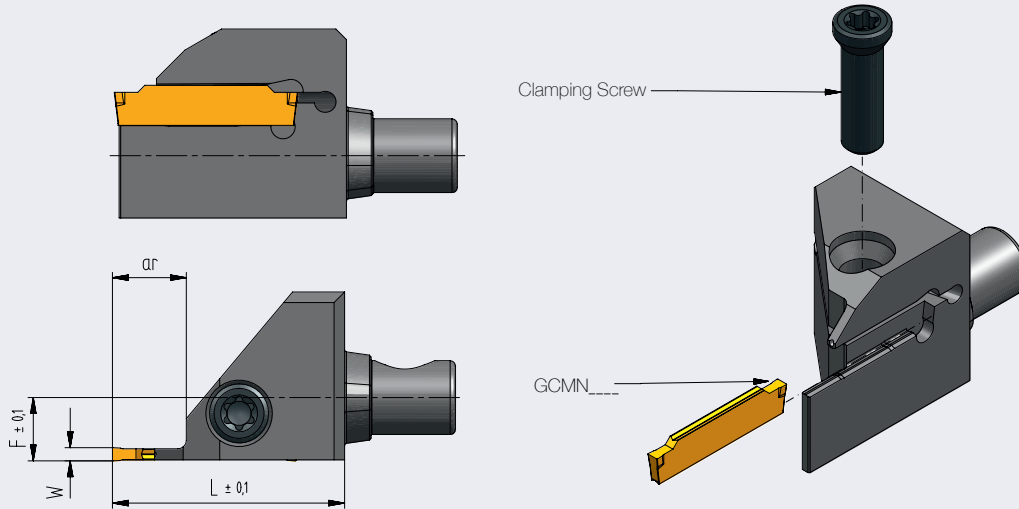
• Other insert variants available on request.

● in stock ○ on request

• HM20 uncoated inserts, HM50 coated inserts

Cutting heads

GNDR



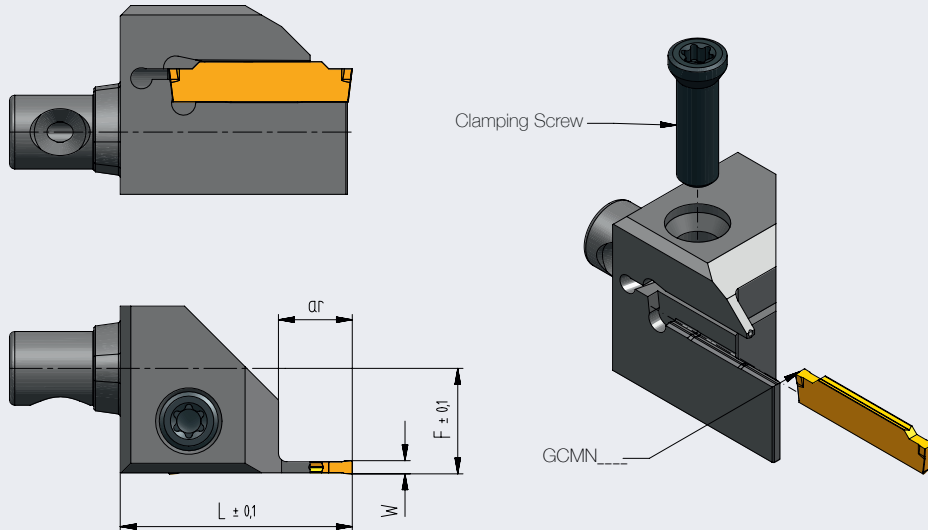
	Size	F	L	Indexable insert	Order number	Clamping screw	W	ar	
NEW	10	5	22	GCMN125005	PZ10-K-GNDR-0522-H12510	BFTX0414 4Nm/35lb-in	1,25	10	○
	12 (1/2")	6	22	GCMN125005	PZ12-K-GNDR-0622-H12507	BFTX0414 4Nm/35lb-in	1,25	7	●
	16 (5/8")	8	22	GCMN125005	PZ16-K-GNDR-0822-H12507	BFTX0414 4Nm/35lb-in	1,25	7	●
	16 (5/8")	8	30	GCMN125005	PZ16-K-GNDR-0830-H12517	BFTX0414 4Nm/35lb-in	1,25	17	○
NEW	10	5	22	GCMN150005	PZ10-K-GNDR-0522-H15010	BFTX0414 4Nm/35lb-in	1,5	10	○
	12 (1/2")	6	22	GCMN150005	PZ12-K-GNDR-0622-H15007	BFTX0414 4Nm/35lb-in	1,5	7	●
	16 (5/8")	8	22	GCMN150005	PZ16-K-GNDR-0822-H15007	BFTX0414 4Nm/35lb-in	1,5	7	●
	16 (5/8")	8	30	GCMN150005	PZ16-K-GNDR-0830-H15017	BFTX0414 4Nm/35lb-in	1,5	17	○
	12 (1/2")	6	25	GCMN2002	PZ12-K-GNDR-0625-H212	BFTX0414 4Nm/35lb-in	2	12	●
	16 (5/8")	8	25	GCMN2002	PZ16-K-GNDR-0825-H212	BFTX0414 4Nm/35lb-in	2	12	●
	16 (5/8")	8	30	GCMN2002	PZ16-K-GNDR-0830-H217	BFTX0414 4Nm/35lb-in	2	17	○
	12 (1/2")	6	25	GCMN3002	PZ12-K-GNDR-0625-H312	BFTX0414 4Nm/35lb-in	3	12	●
	16 (5/8")	8	25	GCMN3002	PZ16-K-GNDR-0825-H312	BFTX0414 4Nm/35lb-in	3	12	●
	16 (5/8")	8	30	GCMN3002	PZ16-K-GNDR-0830-H317	BFTX0414 4Nm/35lb-in	3	17	○

• Other insert variants available on request.

● in stock ○ on request

Cutting heads

GNDL



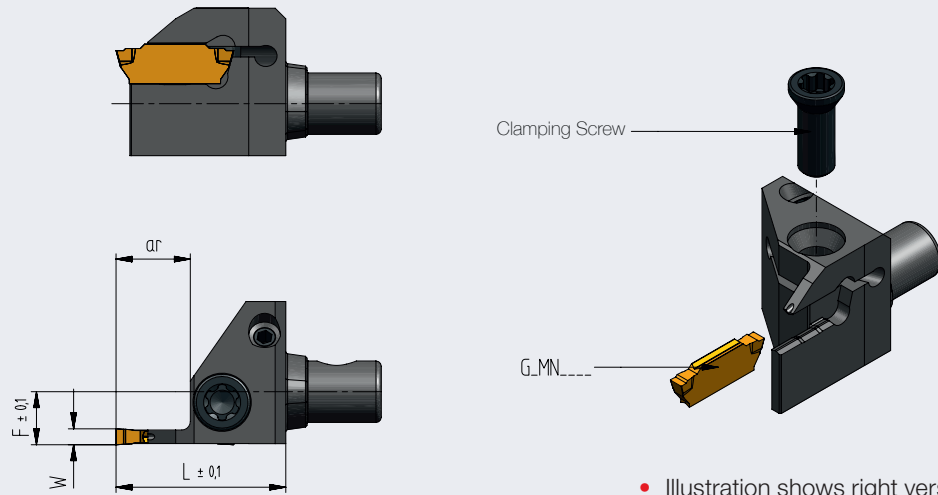
	Size	F	L	Indexable insert	Order number	Clamping screw	W	ar	
NEW	10	8	22	GCMN125005	PZ10-K-GNDL-0822-H12510	BFTX0414 4Nm/35lb-in	1,25	10	○
	12 (1/2")	10	22	GCMN125005	PZ12-K-GNDL-1022-H12507	BFTX0414 4Nm/35lb-in	1,25	7	●
	16 (5/8")	12	22	GCMN125005	PZ16-K-GNDL-1222-H12507	BFTX0414 4Nm/35lb-in	1,25	7	●
	16 (5/8")	12	30	GCMN125005	PZ16-K-GNDL-1230-H12517	BFTX0414 4Nm/35lb-in	1,25	17	○
NEW	10	8	22	GCMN150005	PZ10-K-GNDL-0822-H15010	BFTX0414 4Nm/35lb-in	1,5	10	○
	12 (1/2")	10	22	GCMN150005	PZ12-K-GNDL-1022-H15007	BFTX0414 4Nm/35lb-in	1,5	7	●
	16 (5/8")	12	22	GCMN150005	PZ16-K-GNDL-1222-H15007	BFTX0414 4Nm/35lb-in	1,5	7	●
	16 (5/8")	12	30	GCMN150005	PZ16-K-GNDL-1230-H15017	BFTX0414 4Nm/35lb-in	1,5	17	○
	12 (1/2")	10	25	GCMN2002	PZ12-K-GNDL-1025-H212	BFTX0414 4Nm/35lb-in	2	12	●
	16 (5/8")	12	25	GCMN2002	PZ16-K-GNDL-1225-H212	BFTX0414 4Nm/35lb-in	2	12	●
	16 (5/8")	12	30	GCMN2002	PZ16-K-GNDL-1230-H217	BFTX0414 4Nm/35lb-in	2	17	○
	12 (1/2")	10	25	GCMN3002	PZ12-K-GNDL-1025-H312	BFTX0414 4Nm/35lb-in	3	12	●
	16 (5/8")	12	25	GCMN3002	PZ16-K-GNDL-1225-H312	BFTX0414 4Nm/35lb-in	3	12	●
	16 (5/8")	12	30	GCMN3002	PZ16-K-GNDL-1230-H317	BFTX0414 4Nm/35lb-in	3	17	○

• Other insert variants available on request.

● in stock ○ on request

Cutting heads

GXM



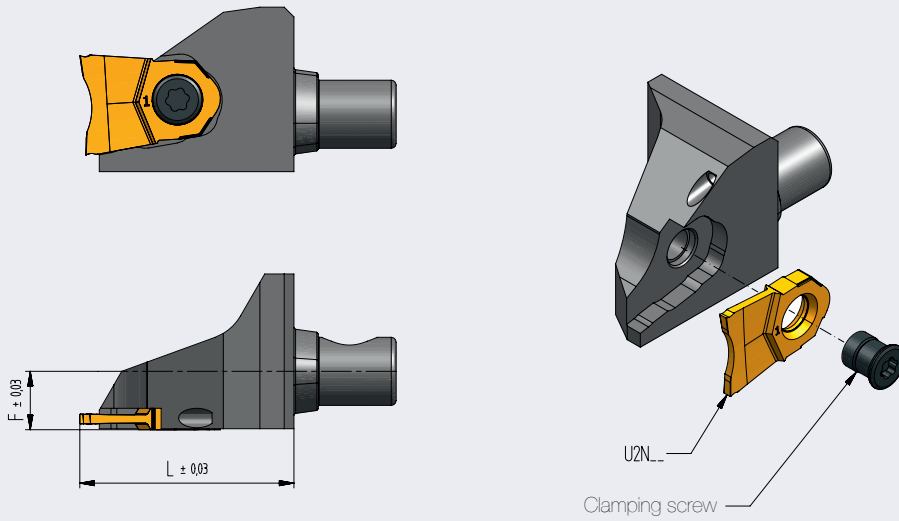
• Illustration shows right version

	Size	F	L	Indexable insert	Order number	Clamping screw	W	ar	
NEW	10	5	16	GXMN150005	PZ10-K-GXMR-0516-H15007	BFTX03510IP15 3Nm/27lb-in	1,5	7	○
NEW	10	5	16	GXMN2002	PZ10-K-GXMR-0516-H207	BFTX03510IP15 3Nm/27lb-in	2	7	○
NEW	10	5	16	GXMN3002	PZ10-K-GXMR-0516-H307	BFTX03510IP15 3Nm/27lb-in	3	7	○
NEW	10	8	16	GXMN150005	PZ10-K-GXML-0816-H15007	BFTX03510IP15 3Nm/27lb-in	1,5	7	○
NEW	10	8	16	GXMN2002	PZ10-K-GXML-0816-H207	BFTX03510IP15 3Nm/27lb-in	2	7	○
NEW	10	8	16	GXMN3002	PZ10-K-GXML-0816-H307	BFTX03510IP15 3Nm/27lb-in	3	7	○

● in stock ○ on request

Cutting heads

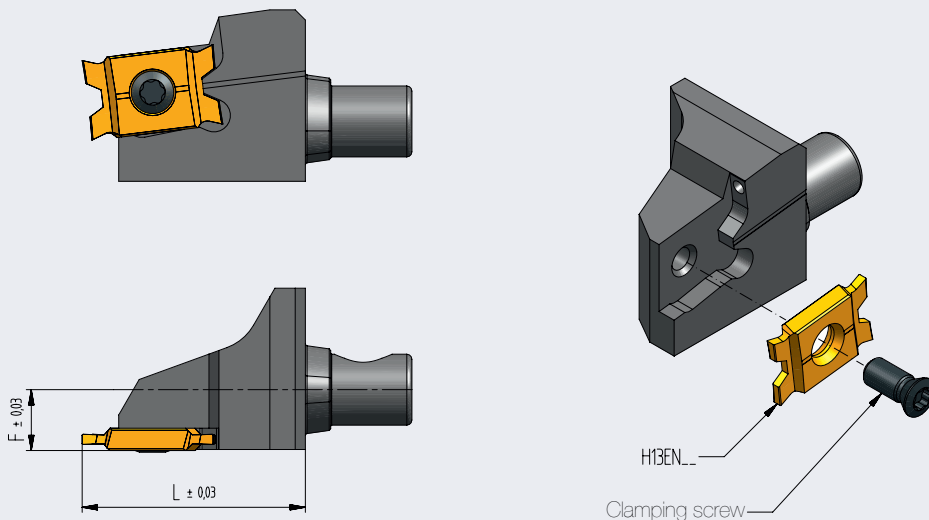
MAUNR/L - SWISSline



	Size	F	L	Indexable insert	Order number	Clamping screw	
NEW	10	5	22	U2N...	PZ10-K-MAUNR-0522	M4x5RHU13TH 1,4Nm/13lb-in	<input type="radio"/>
NEW	12	6	22	U2N...	PZ12-K-MAUNR-0622	M4x5RHU13TH 1,4Nm/13lb-in	<input type="radio"/>
NEW	16	8	22	U2N...	PZ16-K-MAUNR-0822	M4x5RHU13TH 1,4Nm/13lb-in	<input type="radio"/>
NEW	10	8	22	U2N...	PZ10-K-MAUNL-0822	M4x5RHU13TH 1,4Nm/13lb-in	<input type="radio"/>
NEW	12	10	22	U2N...	PZ12-K-MAUNL-1022	M4x5RHU13TH 1,4Nm/13lb-in	<input type="radio"/>
NEW	16	12	22	U2N...	PZ16-K-MAUNL-1222	M4x5RHU13TH 1,4Nm/13lb-in	<input type="radio"/>

● in stock ○ on request

MAHER - SWISSline

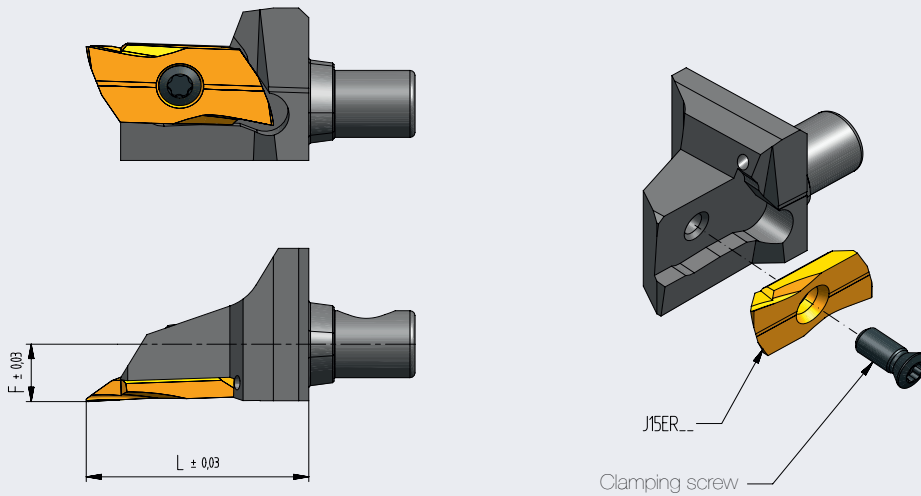


	Size	F	L	Indexable insert	Order number	Clamping screw	
NEW	10	5	22	H13EN...	PZ10-K-MAHER-0522-13	M3x7 1,4Nm/12lb-in	<input type="radio"/>
NEW	12	6	22	H13EN...	PZ12-K-MAHER-0622-13	M3x7 1,4Nm/12lb-in	<input type="radio"/>
NEW	16	8	22	H13EN...	PZ16-K-MAHER-0822-13	M3x7 1,4Nm/12lb-in	<input type="radio"/>

● in stock ○ on request

Cutting heads

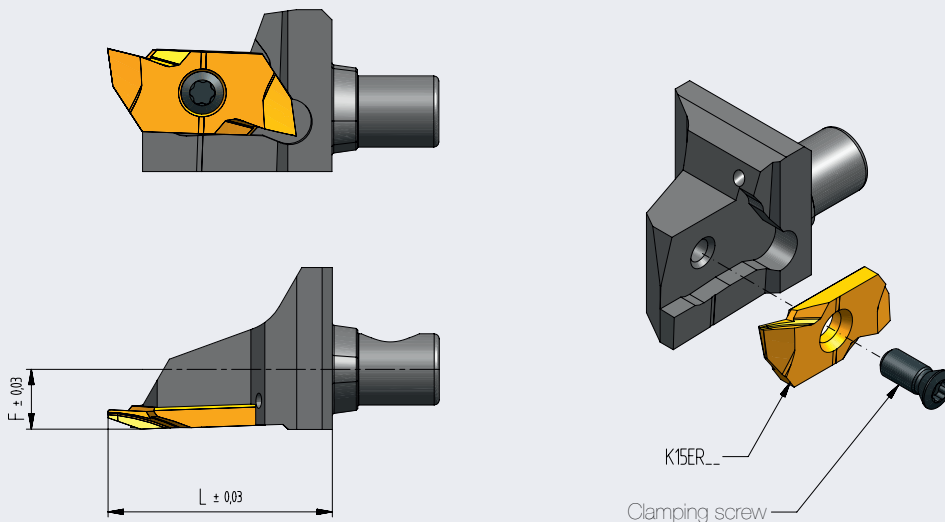
MAJER - SWISSline



	Size	F	L	Indexable insert	Order number	Clamping screw	
NEW	10	5	22	J15ER...	PZ10-K-MAJER-0522-15-8	M3x7 1,4Nm/12lb-in	<input type="radio"/>
NEW	12	6	22	J15ER...	PZ12-K-MAJER-0622-15-8	M3x7 1,4Nm/12lb-in	<input type="radio"/>
NEW	16	8	22	J15ER...	PZ16-K-MAJER-0822-15-8	M3x7 1,4Nm/12lb-in	<input type="radio"/>

● in stock ○ on request

MAKER - SWISSline

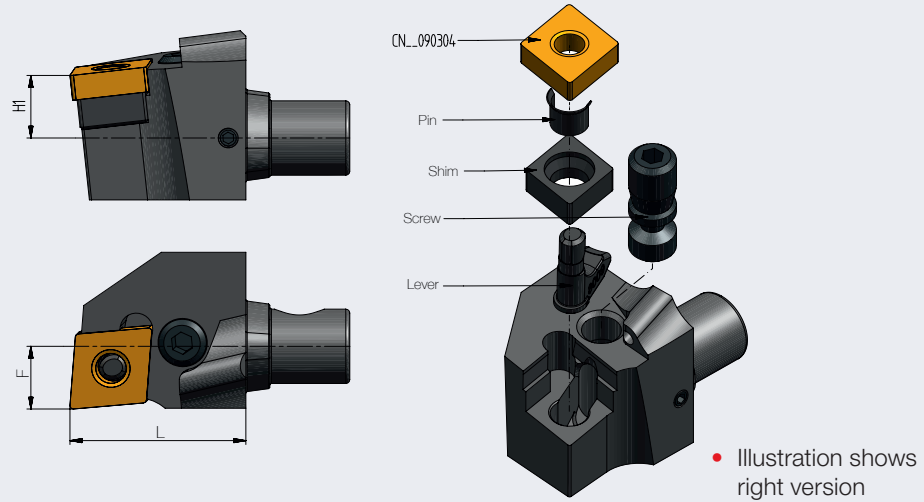


	Size	F	L	Indexable insert	Order number	Clamping screw	
NEW	10	5	22	K15ER...	PZ10-K-MAKER-0522-15-2	M3x7 1,4Nm/12lb-in	<input type="radio"/>
NEW	12	6	22	K15ER...	PZ12-K-MAKER-0622-15-2	M3x7 1,4Nm/12lb-in	<input type="radio"/>
NEW	16	8	22	K15ER...	PZ16-K-MAKER-0822-15-2	M3x7 1,4Nm/12lb-in	<input type="radio"/>

● in stock ○ on request

Cutting heads

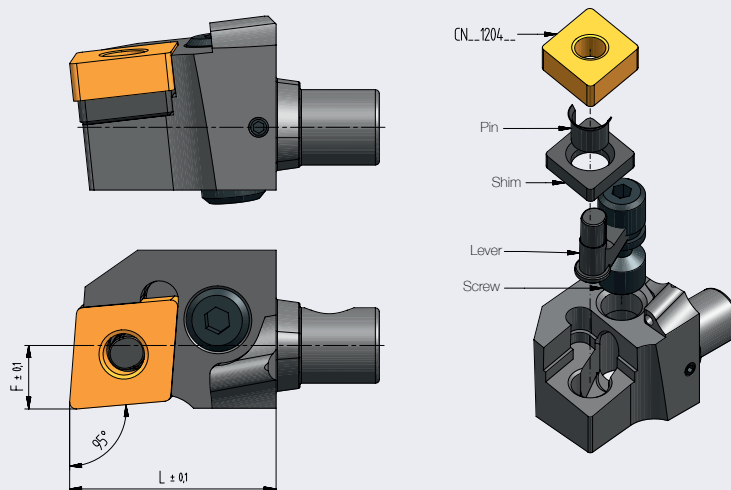
PCLNR/L...09



Cutter head					Spare parts			
Size	F	L	Indexable insert	Order number	Shim	Lever	Clamping Screw	Pin
NEW 12 (1/2")	6	22	CN...0903	PZ12-K-PCLNR-0622-09	3608	8009	1606 3,5Nm/31lb-in	4109
NEW 16 (5/8")	8	22	CN...0903	PZ16-K-PCLNR-0822-09	3608	8009	1606 3,5Nm/31lb-in	4109
NEW 12 (1/2")	10	22	CN...0903	PZ12-K-PCLNL-1022-09	3608	8009	1606 3,5Nm/31lb-in	4109
NEW 16 (5/8")	12	22	CN...0903	PZ16-K-PCLNL-1222-09	3608	8009	1606 3,5Nm/31lb-in	4109

● in stock ○ on request

PCLNR...12

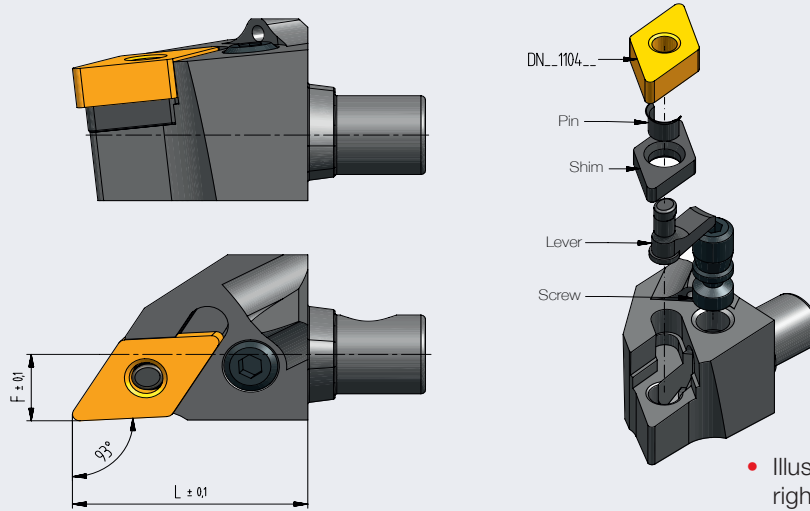


Cutting head					Spare parts			
Size	F	L	Indexable insert	Order number	Shim	Lever	Clamping Screw	Pin
16 (5/8")	8	26	CN...1204	PZ16-K-PCLNR-0826-12	3612	8012	1608 5,0Nm/44lb-in	4112

● in stock ○ on request

Cutting heads

PDJNR/L...11

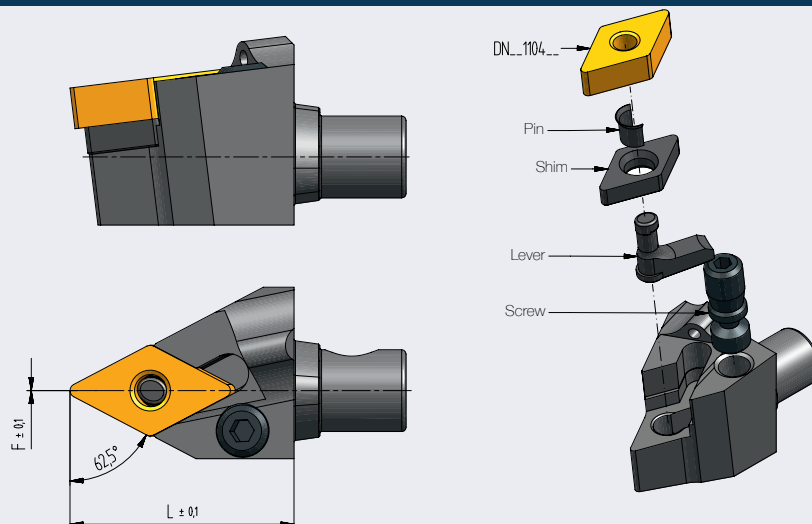


• Illustration shows right version

Cutting head					Spare parts					
Size	F	L	Indexable insert	Order number	Shim	Lever	Clamping Screw		Pin	
16 (5/8")	8	26	DN...1104	PZ16-K-PDJNR-0826-11	3710	8411	1606	3,5Nm/31lb-in	4108	○
16 (5/8")	12	26	DN...1104	PZ16-K-PDJNL-1226-11	3710	8411	1606	3,5Nm/31lb-in	4108	○

● in stock ○ on request

PDNNN...11

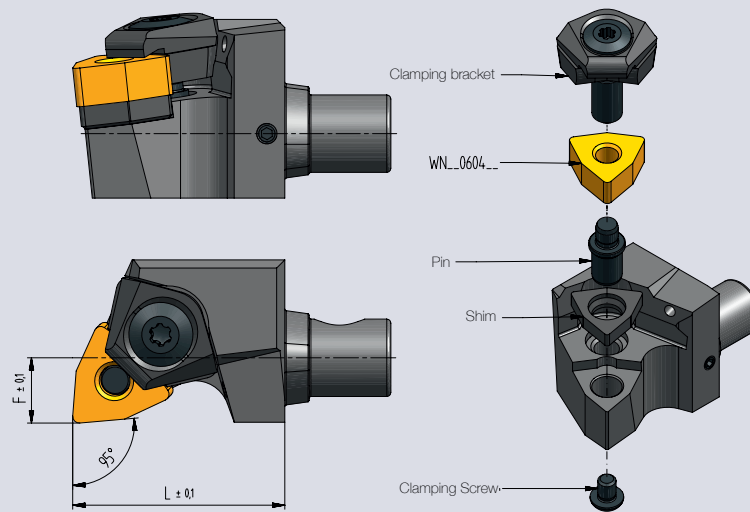


Cutting head					Spare parts					
Size	F	L	Indexable insert	Order number	Shim	Lever	Clamping Screw		Pin	
16 (5/8")	0	26	DN...1104	PZ16-K-PDNNN-0026-11	3710	8411	1606 / 3,5Nm/31lb-in		4108	○

● in stock ○ on request

Cutting heads

DWLNR...06

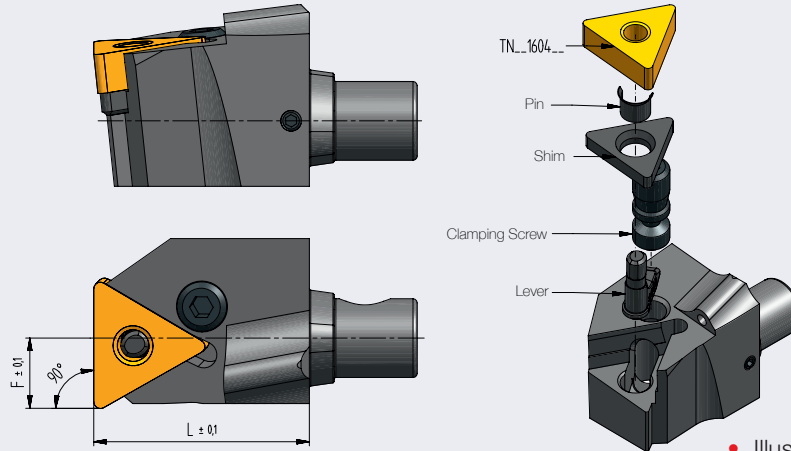


Cutting head					Spare parts				
Size	F	L	Indexable insert	Order number	Shim	Clamping bracket	Clamping Screw	Pin	
16 (5/8")	8	26	WN...0604	PZ16-K-DWLNR-0826-06	3306	100-53	100-86	4188	○

● in stock ○ on request

Cutting heads

PTFNR/L...16

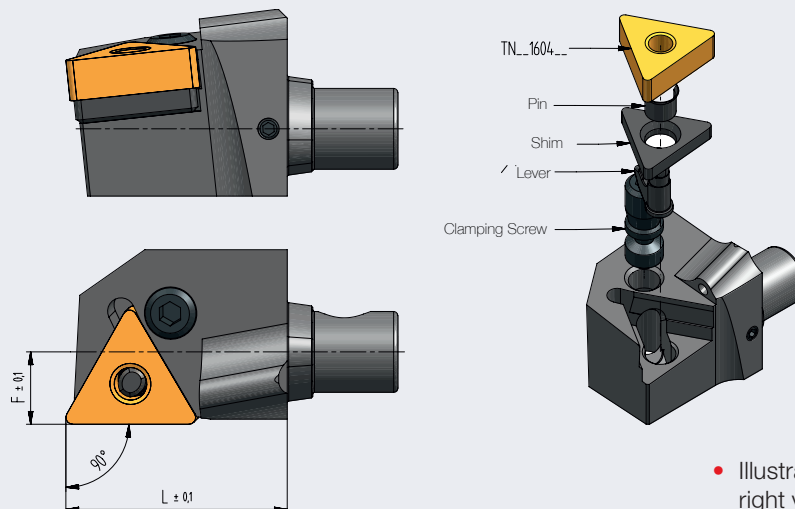


• Illustration shows right version

Cutting head					Spare parts				
Size	F	L	Indexable insert	Order number	Shim	Lever	Clamping Screw	Pin	
16 (5/8")	8	26	TN...1604	PZ16-K-PTFNR-0826-16	3416	8009	1606 / 3,5Nm/31lb-in	4109	○
16 (5/8")	12	26	TN...1604	PZ16-K-PTFNL-1226-16	3416	8009	1606 / 3,5Nm/31lb-in	4109	○

● in stock ○ on request

PTGNR/L...16



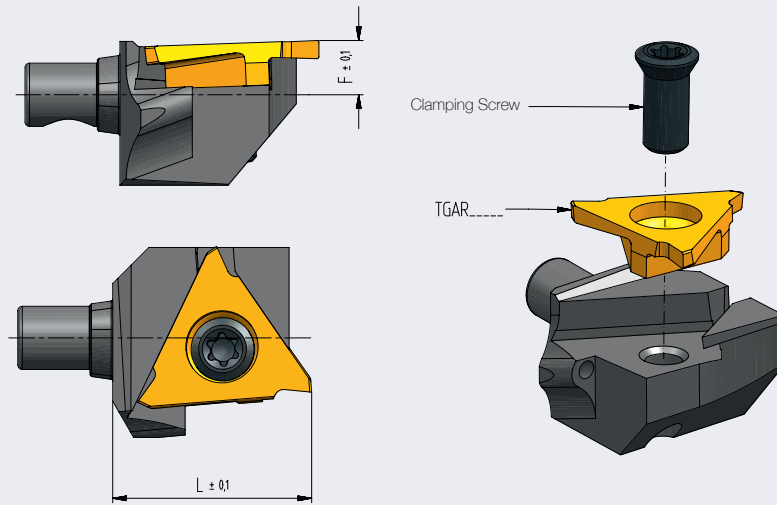
• Illustration shows right version

Cutting head					Spare parts				
Size	F	L	Indexable insert	Order number	Shim	Lever	Clamping Screw	Pin	
16 (5/8")	8	26	TN...1604	PZ16-K-PTGNR-0826-16	3416	8009	1606 / 3,5Nm/31lb-in	4109	○
16 (5/8")	12	26	TN...1604	PZ16-K-PTGNL-1226-16	3416	8009	1606 / 3,5Nm/31lb-in	4109	○

● in stock ○ on request

Cutting heads

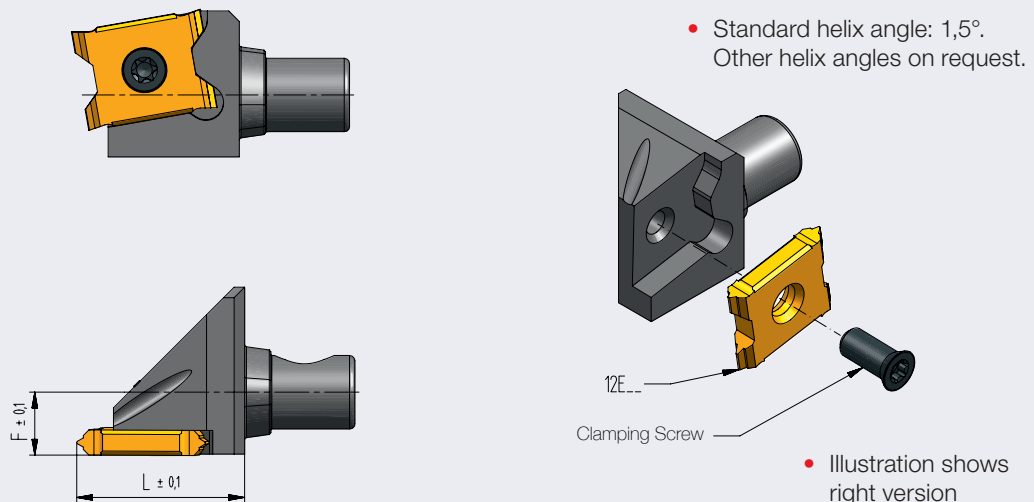
TGAR...



Size	F	L	Indexable insert	Order number	Clamping screw	
16 (5/8")	8	22	TGAR4200	PZ16-K-TGAR-0822-42	BFTX0511N 5,0Nm/44lb-in	<input type="radio"/>
16 (5/8")	8	22	TGAR4400	PZ16-K-TGAR-0822-44	BFTX0511N 5,0Nm/44lb-in	<input type="radio"/>

● in stock ○ on request

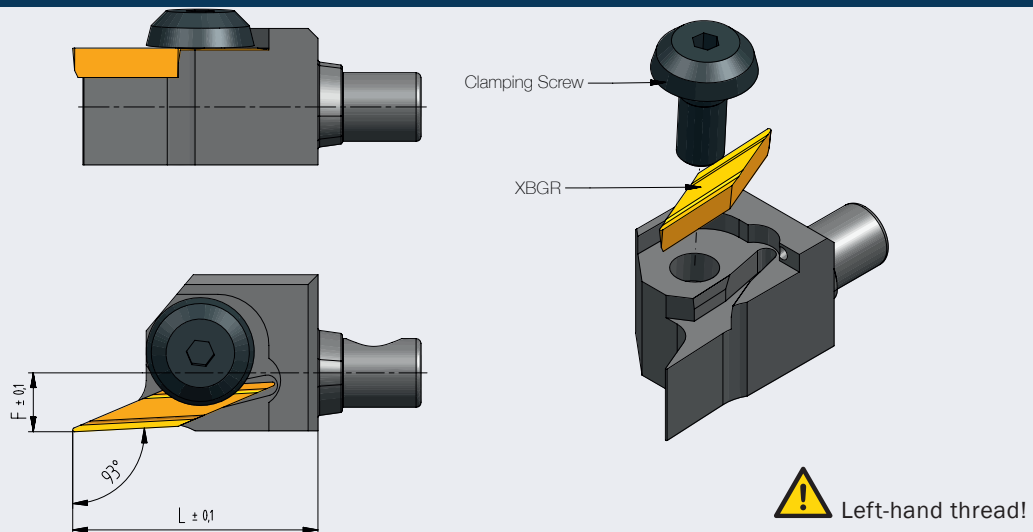
STS...thread cutting



	Size	F	L	Indexable insert	Order number	Clamping screw	Mounting Position	
NEW	10	5	16	12E...	PZ10-K-ST5-0516-12	STS T9xm3 2,0Nm/18lb-in	right	<input type="radio"/>
	12 (1/2")	6	16	12E...	PZ12-K-ST5-0616-12	STS T9xm3 2,0Nm/18lb-in	right	<input checked="" type="radio"/>
	16 (5/8")	8	16	12E...	PZ16-K-ST5-0816-12	STS T9xm3 2,0Nm/18lb-in	right	<input checked="" type="radio"/>
NEW	10	8	16	12E...	PZ10-K-ST5-0816-12-L	STS T9xm3 2,0Nm/18lb-in	left	<input type="radio"/>
	12 (1/2")	10	16	12E...	PZ12-K-ST5-1016-12-L	STS T9xm3 2,0Nm/18lb-in	left	<input checked="" type="radio"/>
	16 (5/8")	12	16	12E...	PZ16-K-ST5-1216-12-L	STS T9xm3 2,0Nm/18lb-in	left	<input checked="" type="radio"/>

Cutting heads





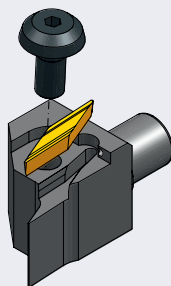
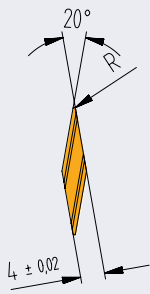

CXJBR



Size	F	L	Indexable insert	Order number	Clamping screw	
12 (1/2")	6	25	XBGR	PZ12-K-CXJBR-0625-10	K17385 M5 links 4,0Nm/35lb-in	●
16 (5/8")	8	25	XBGR	PZ16-K-CXJBR-0825-10	K17385 M5 links 4,0Nm/35lb-in	●

● in stock ○ on request

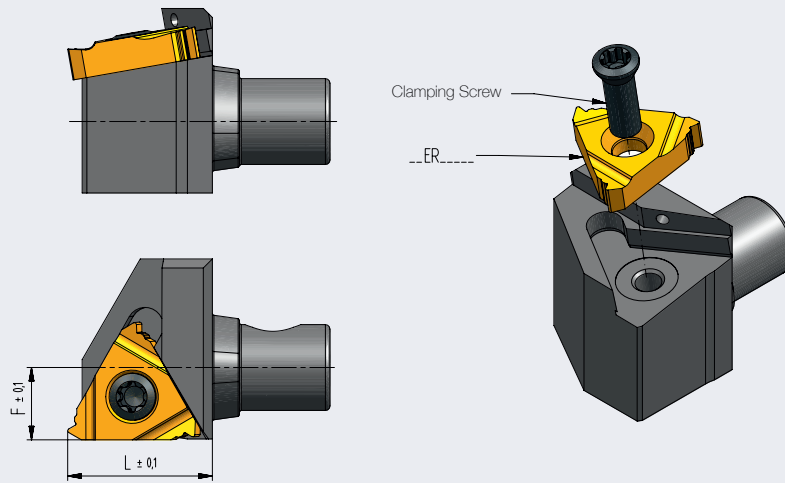
SWISS[®]line XBG 20° inserts for CXJBR cutter heads

				
	ohne SP XBGN_...	SPN XBGR_...SPN	SPR XBGR_...SPR	SPL XBGR_...SPL
				

Order number	R
XBGN100302-TIN	0,2
XBGN100304-TIN	0,4
XBGR100302SPR-TIN	0,2
XBGR100304SPR-TIN	0,4
XBGR100302SPL-TIN	0,2
XBGR100304SPL-TIN	0,4
XBGR100302SPN-TIN	0,2
XBGR100304SPN-TIN	0,4

Cutting heads

ER...11/16 thread cutting

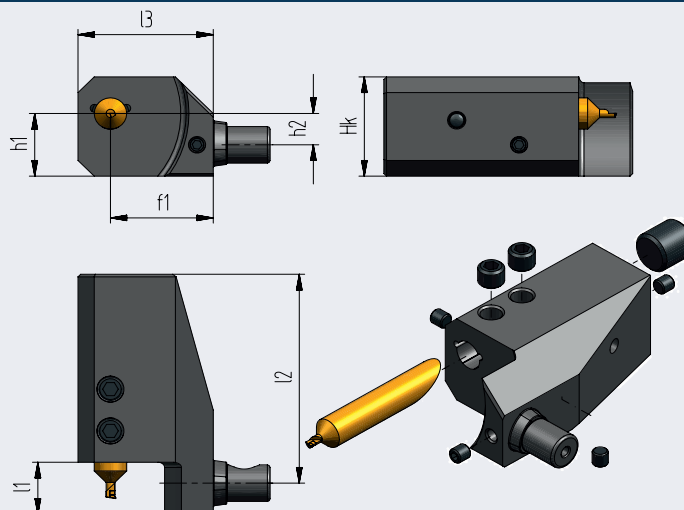


	Size	F	L	Indexable insert	Order number	Clamping screw	
NEW	10	5	16	2ER...ISO (11)	PZ10-K-ER-0516-11-1.5*	123010 1,5Nm/13lb-in	○
	12 (1/2")	6	16	2ER...ISO (11)	PZ12-K-ER-0616-11-1.5*	SN2T 1,5Nm/13lb-in	○
	12 (1/2")	6	16	3ER...ISO (16)	PZ12-K-ER-0616-16-1.5*	123511P 3,5Nm/31lb-in	●
	16 (5/8")	8	16	2ER...ISO (11)	PZ16-K-ER-0816-11-1.5*	SN2T 1,5Nm/13lb-in	○
	16 (5/8")	8	16	3ER...ISO (16)	PZ16-K-ER-0816-16-1.5*	123511P 3,5Nm/31lb-in	●

* Helix angle 1.5°

● in stock ○ on request

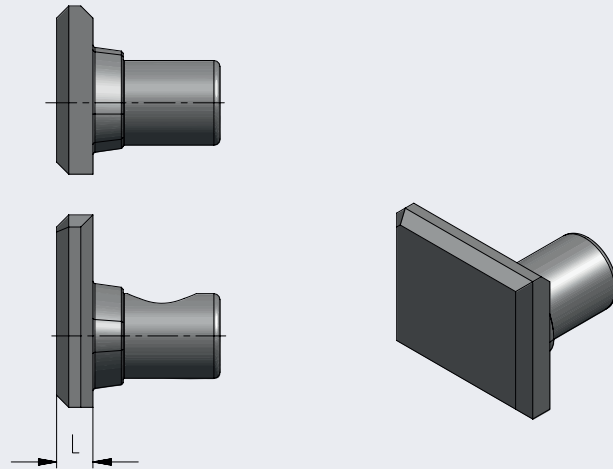
IN[©]turn



	Size	l1	l2	l3	h1	h2	Hk	f1	Order number	
	12 (1/2")	0	26	25	12	6	19	19	PZ12-K-IN6-0-0619	○
	16 (5/8")	0	24	26	16	8	23	19	PZ16-K-IN6-0-0619	○
	12 (1/2")	10	36	25	12	6	19	19	PZ12-K-IN6-10-0619	○
	16 (5/8")	10	34	31	16	8	23	24	PZ16-K-IN6-10-0624	○

● in stock ○ on request

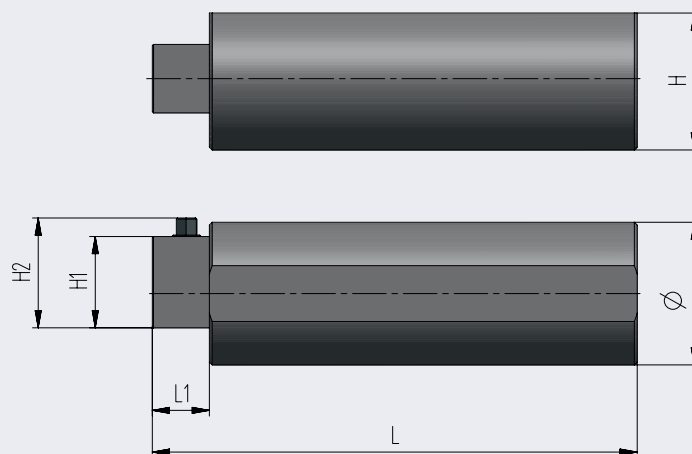
Blind plugs for shanks



	Size	L	Order number	
NEW	10	2	PZ10-BS-3-E22254	○
	12 (1/2")	3	PZ12-BS-3-E21205	●
	16 (5/8")	4	PZ16-BS-4-E21206	●

● in stock ○ on request

Milling device for blanks

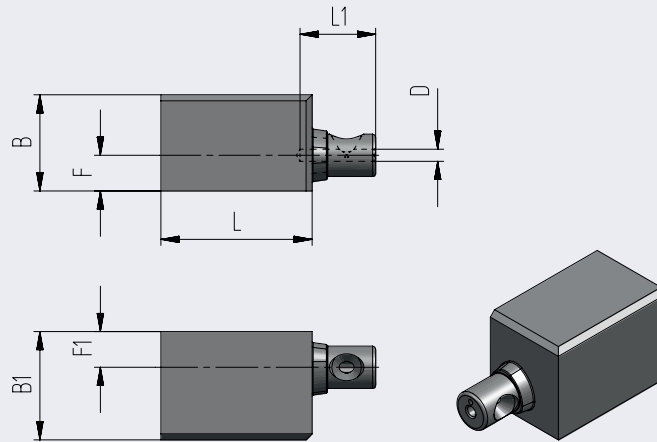


	Size	Ø	H	H1	H2	L	L1	Order number	
NEW	10	25	24	13,5	16,5	85	9,5	PZ10-D25-85	○
	12 (1/2")	25	24	16	20,2	85	10	PZ12-D25-85	●
	16 (5/8")	25	24	20	25,5	85	12	PZ16-D25-85	●

● in stock ○ on request

Blanks

Rectangular

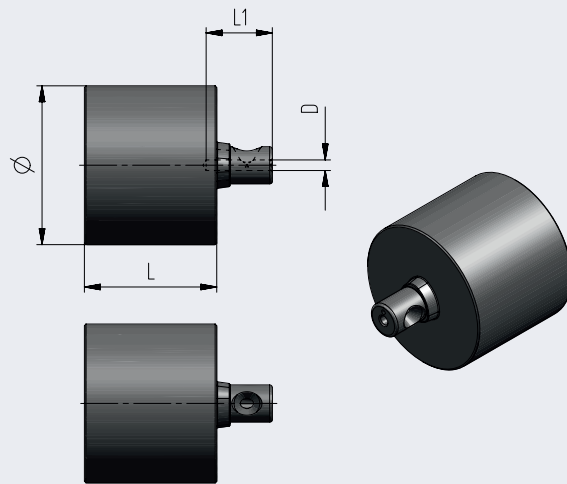


	Size	B	B1	L	L1	F	F1	D	Order number	use for	
NEW	10	13,4	11,9	16+1	10,5	4,9	4,9	1,5	PZ10-R-L16	Standard cutting heads	○
NEW	10	13,4	11,9	22+1	10,5	4,9	4,9	1,5	PZ10-R-L22	Standard cutting heads	○
NEW	10	13,4	13,9	16+1	10,5	4,9	4,9	1,5	PZ10-R-L16-E19114	GND-cutting heads	○
NEW	10	13,4	13,9	22+1	10,5	4,9	4,9	1,5	PZ10-R-L22-E22244	GND-cutting heads	○
	12 (1/2")	14,1	16,1	30+1	12,5	5,9	5,9	2	PZ12-R-L30	Standard cutting heads	●
	12 (1/2")	18,1	16,1	25+1	12,5	5,9	5,9	2	PZ12-R-L25-E16954	GND-cutting heads	●
	16 (5/8")	18,1	20,1	30+1	15,5	7,9	7,9	2,5	PZ16-R-L30	Standard cutting heads	●
	16 (5/8")	22,1	20,1	25+1	15,5	7,9	7,9	2,5	PZ16-R-L25-E17163	GND-cutting heads	●
	16 (5/8")	21,9	19,9	35+1	13	7,9	7,9	2,5	PZ16-R-L35-E20489	GND-cutting heads	●
NEW	16 (5/8")	18,1	19,9	35+1	15,5	7,9	7,9	2,5	PZ16-R-L35	GND-cutting heads	●
NEW	16 (5/8")	19,9	21,9	25+1	13,8	7,9	7,9	3	PZ16-R-L25-E20396	GND-cutting heads	●

● in stock ○ on request

Blanks

Round

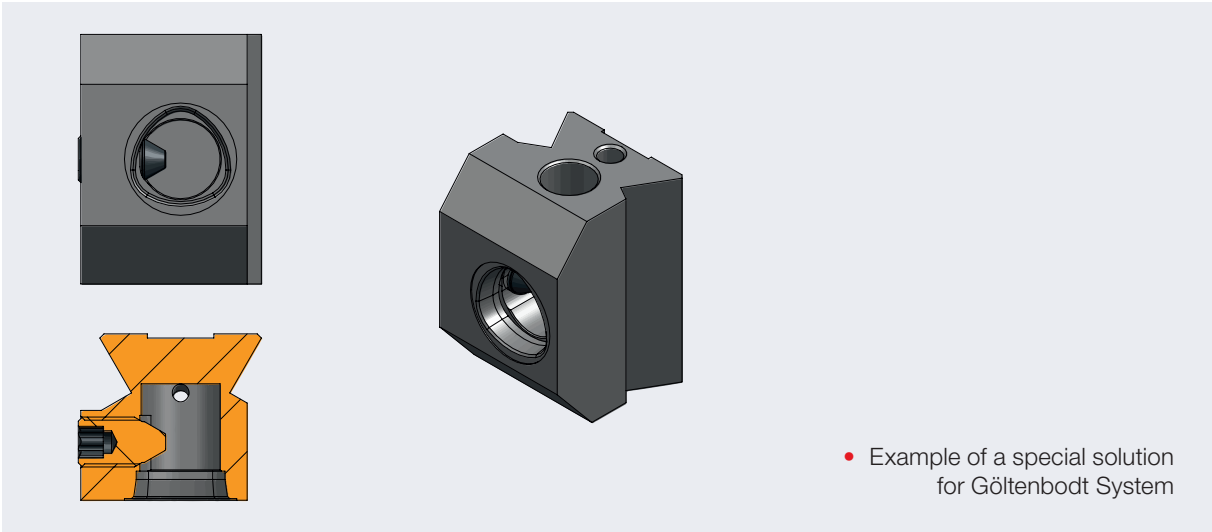
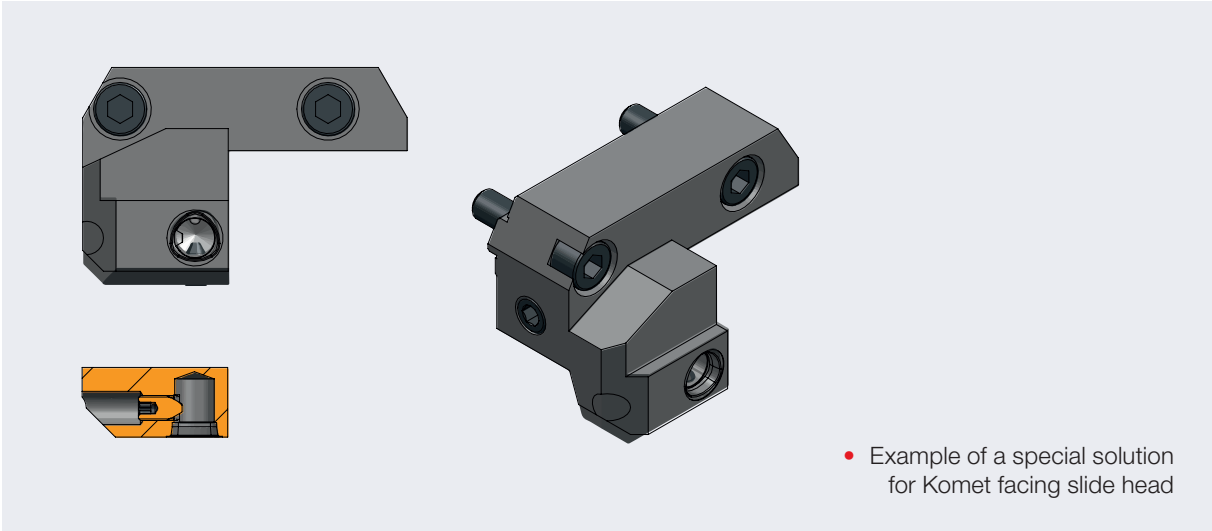
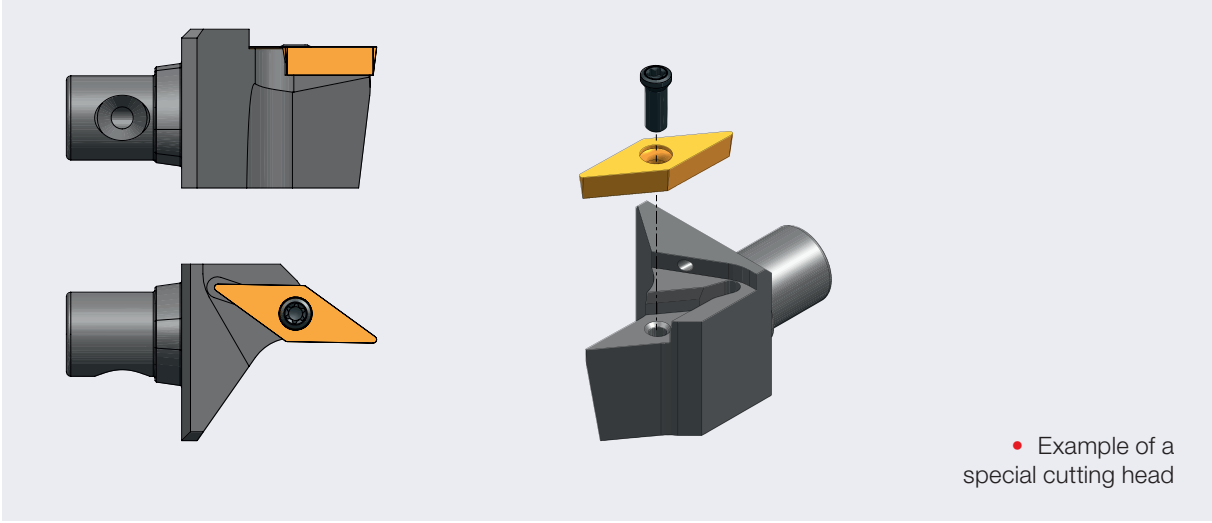


	Size	L	L1	Ø	D	Order number	
NEW	10	24+1	10,5	25	1,5	PZ10-R-D25-L22-RV	○
	12 (1/2")	25+1	12,5	30	2	PZ12-R-D30-L25-RV	●
	16 (5/8")	30	15,5	35	2,5	PZ16-R-D35-L30-RV	●

● in stock ○ on request

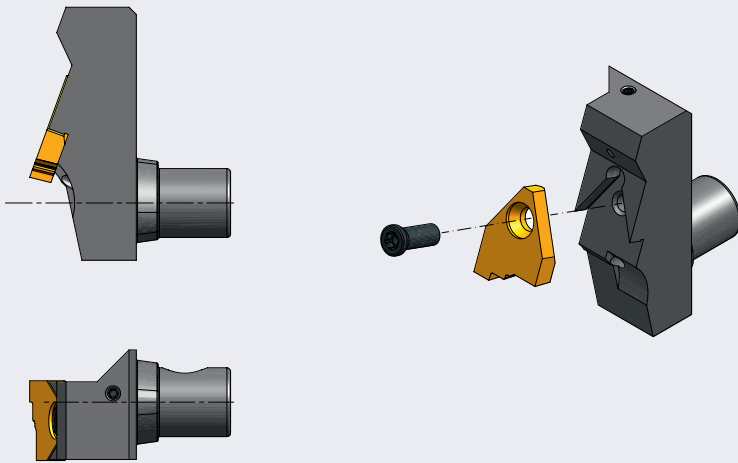
Examples of special solutions

Various series

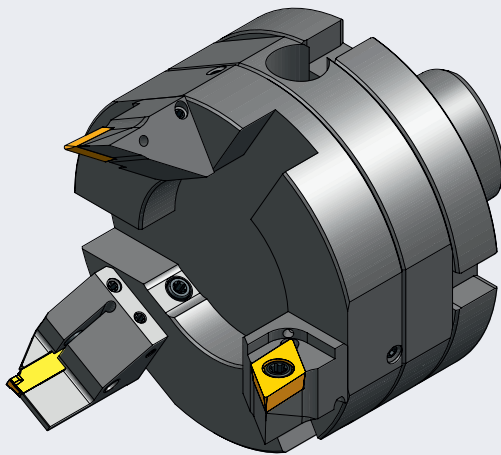


Examples of special solutions

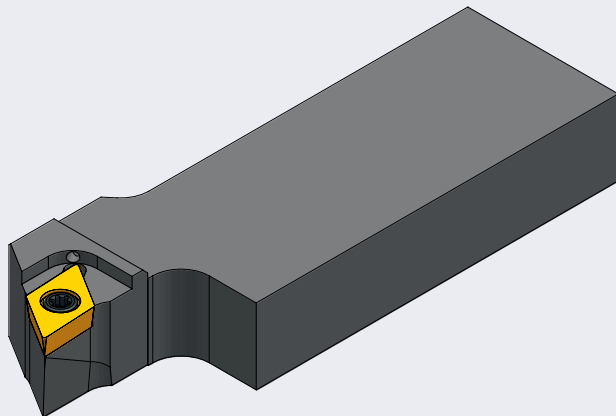
Various series



- Example of a special cutting head



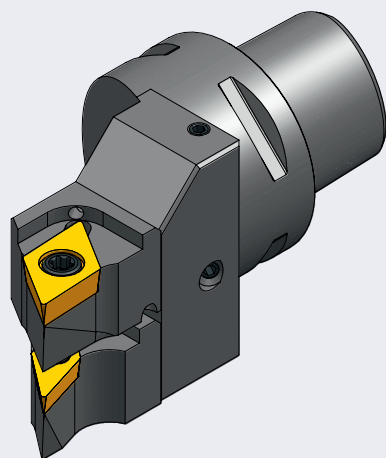
- Example of a special tool holder



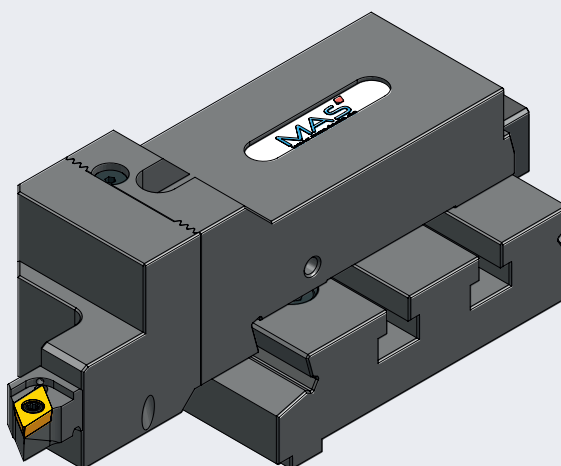
- Example of a special shank

Examples of special solutions

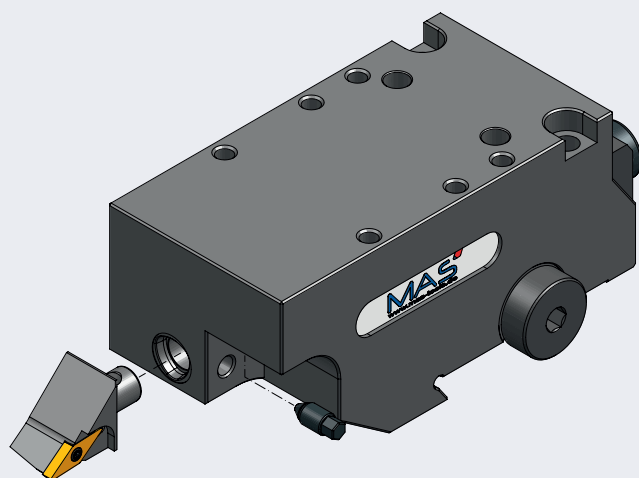
Various series



- Example of a special tool holder



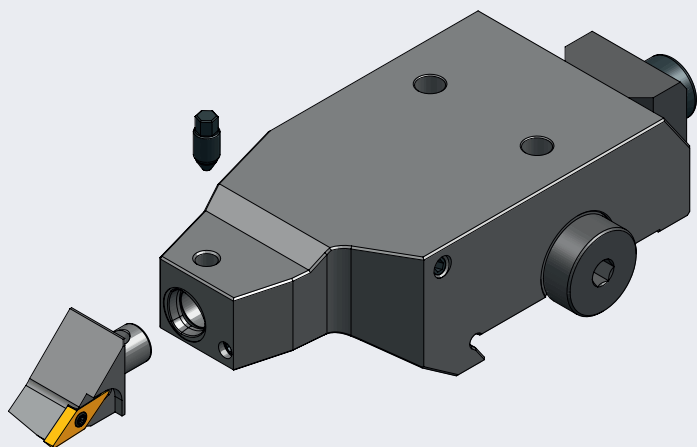
- Example of a special multi-spindle tool holder



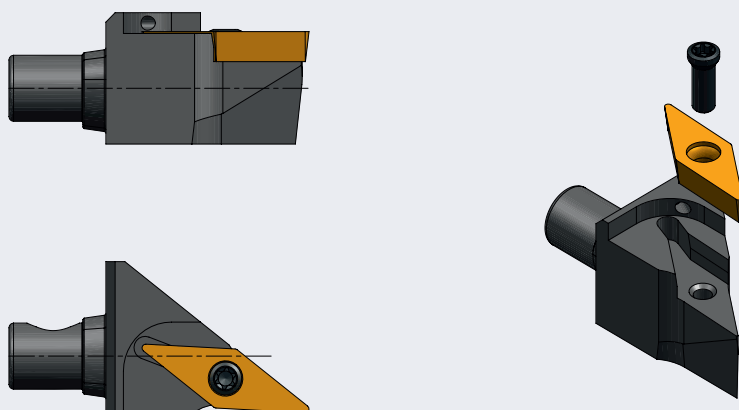
- Example of a special tool holder

Examples of special solutions

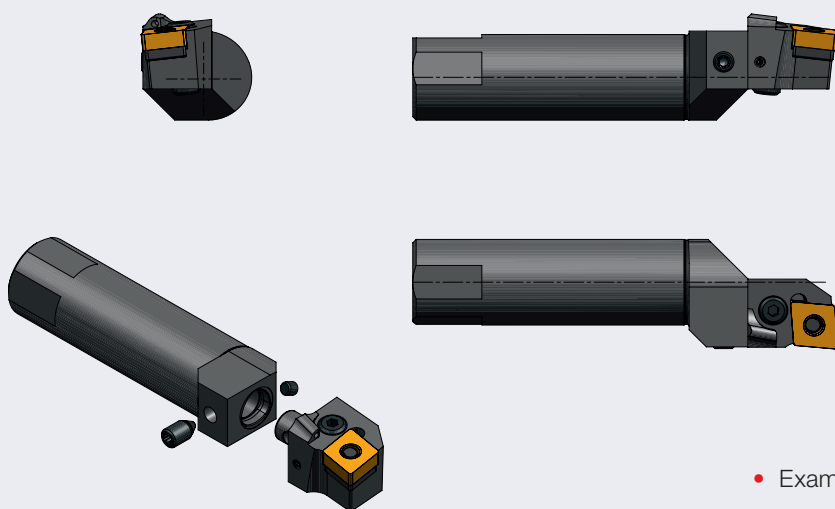
Various series



- Example of a special tool holder



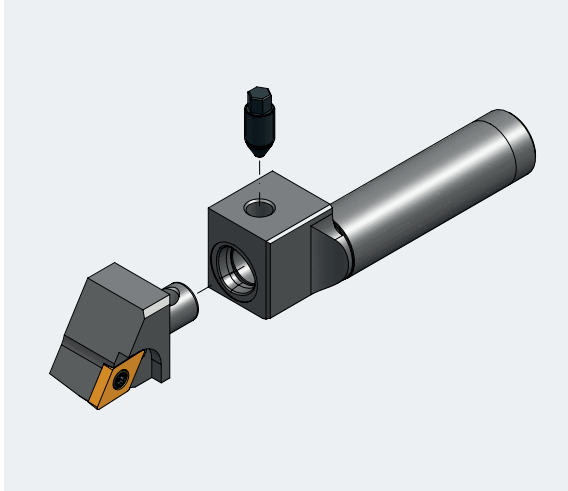
- Example of a special cutting head



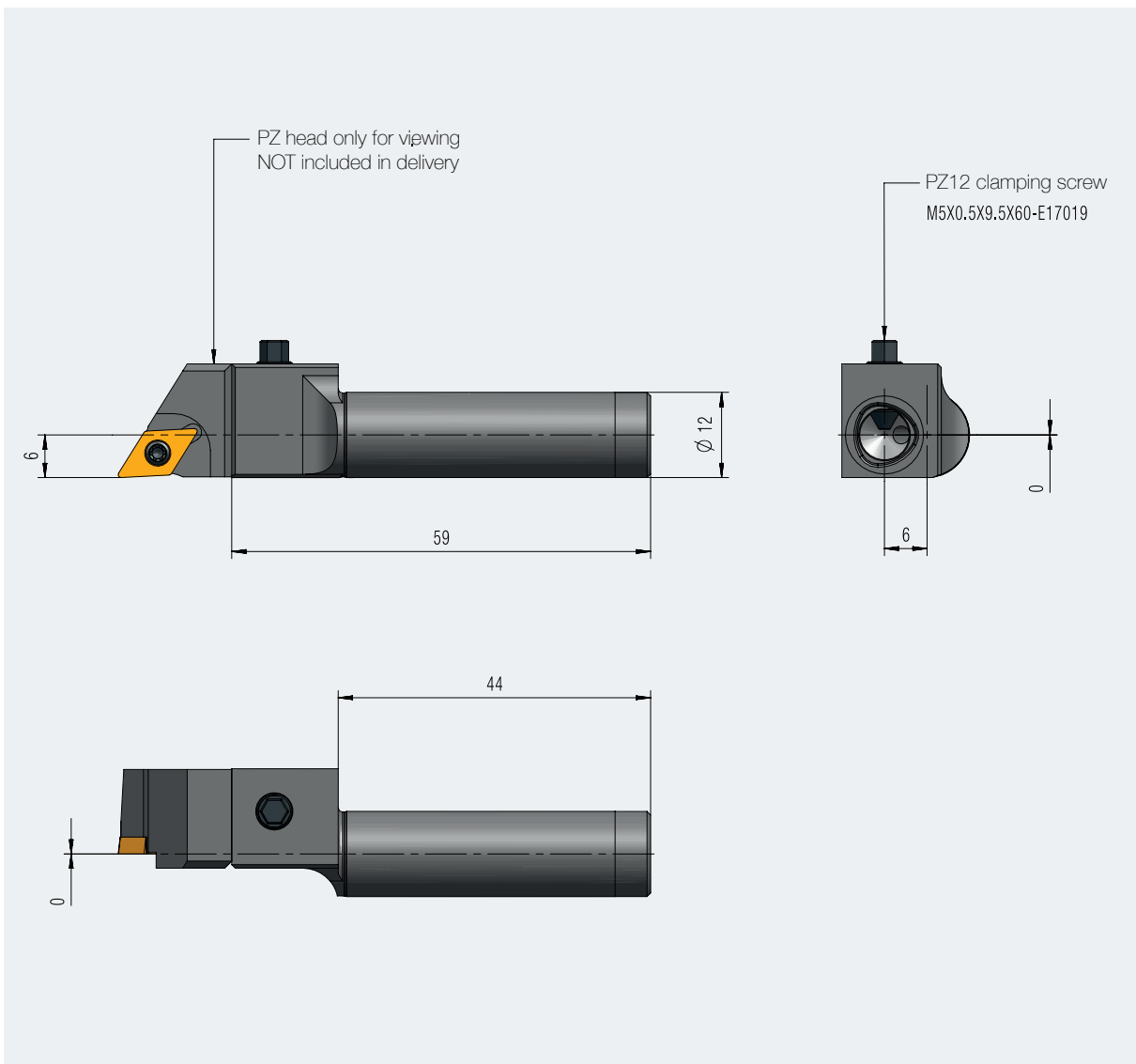
- Example of a special holder

Accessories

MEX[®]turn - tool holder / Clamping diameter 1x D12

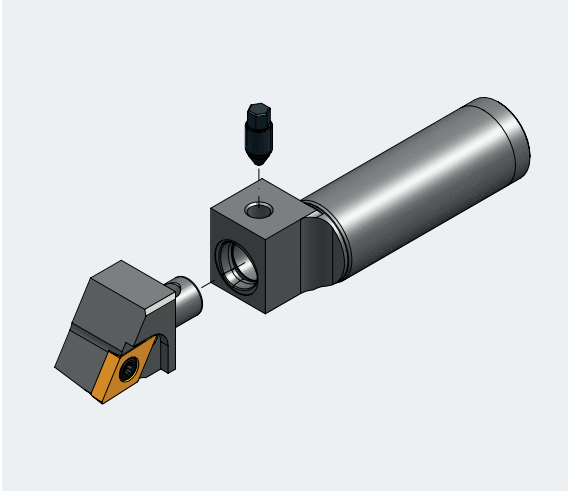


MAS-ID	Order number
E00022479	PZ12-MEX12-59

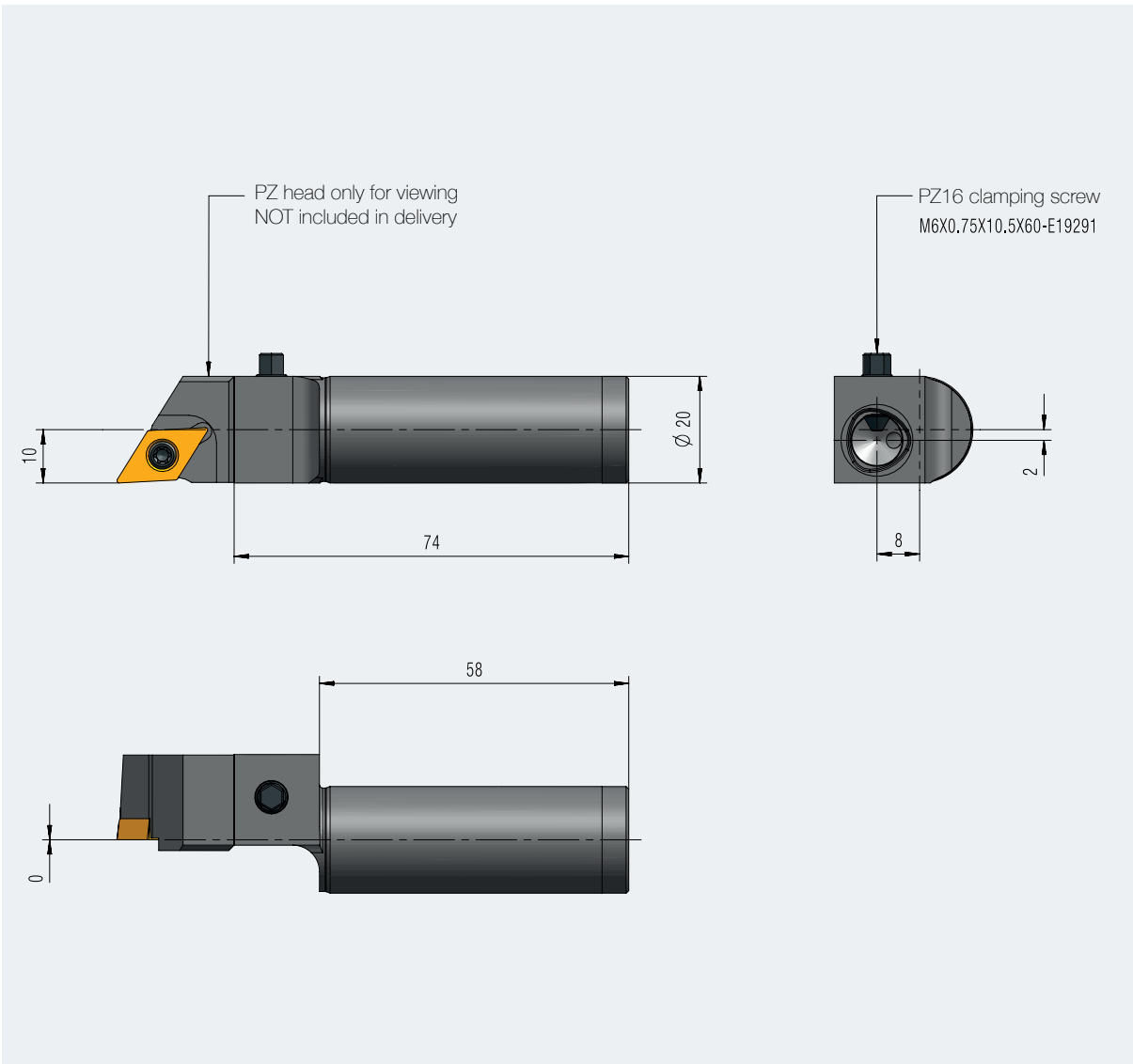


Accessoires

MEX[®]turn - tool holder / Clamping diameter 1x D20



MAS-ID	Order number
E00022437	PZ16-MEX20-74



Accessoires

Torque interchangeable blade and hexagonal insert



Size	Application area	Order number	For clamping screw	
1/4"	PZ10 / PZ12 (1/2") und 16 (5/8")	WECHSELKLINGE 1/4 ZOLL	-	●
AF 3,5 (mm)	PZ10 / PZ12 (1/2")	6-KANT EINSATZ SW 3,5	Hexagon head	●
AF 4,5 (mm)	PZ16 (5/8")	6-KANT EINSATZ SW 4,5	Hexagon head	●
T10	PZ10 / PZ12 (1/2")	WECHSELKLINGE T10	Torx	●
T20	PZ16 (5/8")	WECHSELKLINGE T20	Torx	●

● in stock ○ on request

Torque screwdriver



Size	Application area	Order number	
3,0Nm/27lb-in	PZ10 / PZ12 (1/2")	DSH-3Nm	●
4,0Nm/35lb-in	PZ16 (5/8")	DSH-4Nm	●

● in stock ○ on request

Accessoires

Lubricant

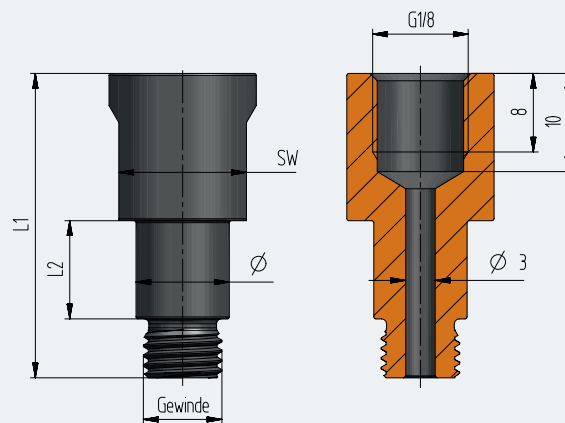


Order number

PZ-SCHMIERSTOFF-E22335

in stock on request

Coolant adapter



Size	L	L 2	Thread	Ø	AF	Order number	
10 / 12 (1/2")	31	10	M8x1	9,5	13	KMB-E22889	<input checked="" type="radio"/>
16 (5/8")	31	10	G1/8	12	14	KMB-E23088	<input checked="" type="radio"/>

in stock on request

Accessoires

Coolant adapter

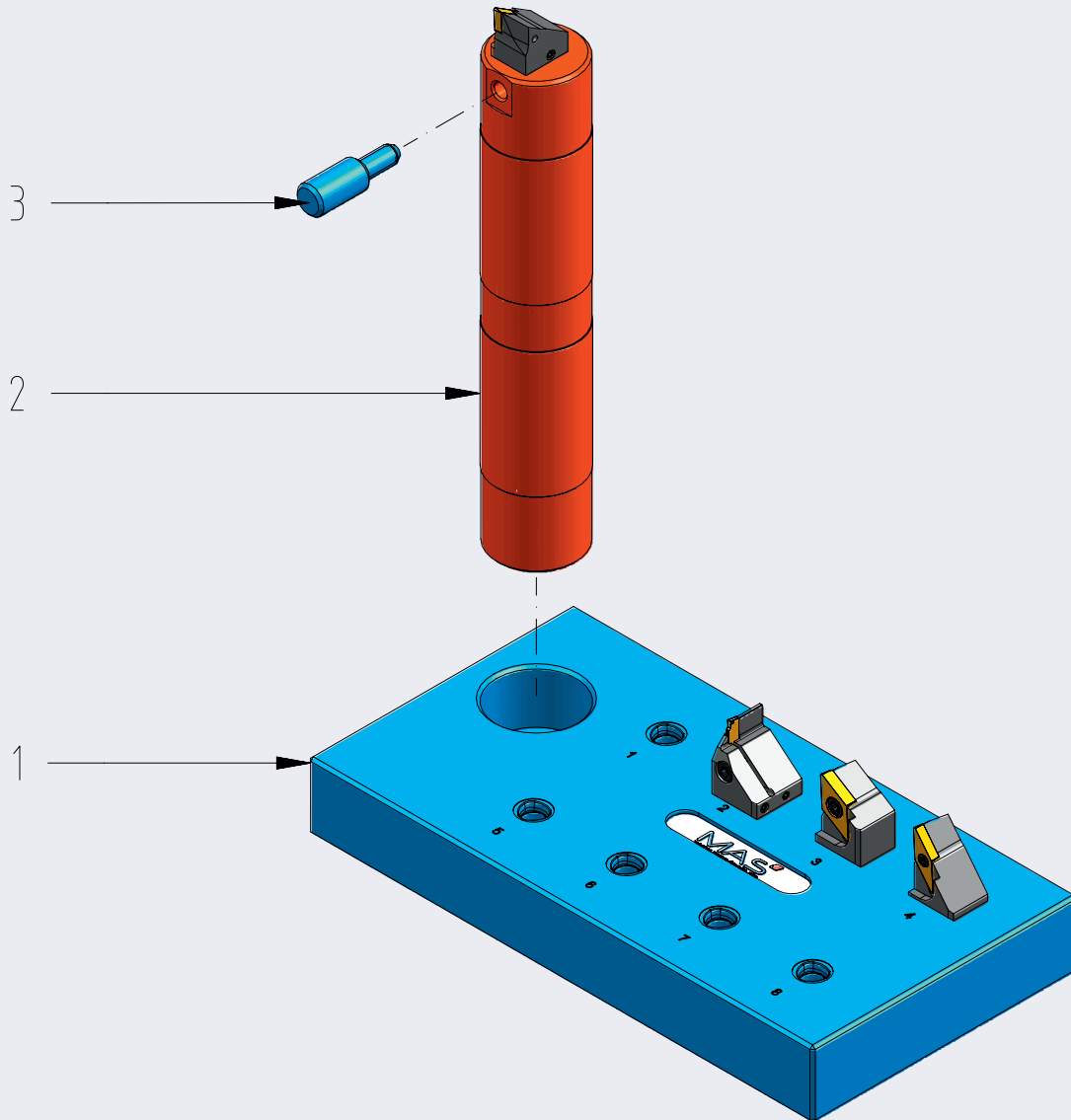


Order number		
Z00000028	G1/8" auf Schnellkupplung	<input checked="" type="radio"/>

in stock on request

Accessories

PZ changing device



- Changing device is delivered without tools

Size	Order number set complete	Order number exchange station 1	Order number mounting handle 2	Order number clamping screw 3	
NEW 10	PZ10-WES-SET-Z808	PZ10-WES-E22408	PZ10-MTG-E22410	M6X12.5X60-E22412	●
12 (1/2")	PZ12-WES-SET-Z642	PZ12-WES-E20579	PZ12-MTG-E21193	M6x12,5x60	●
16 (5/8")	PZ16-WES-SET-Z643	PZ16-WES-E20580	PZ16-MTG-E21194	M6x12,5x60	●

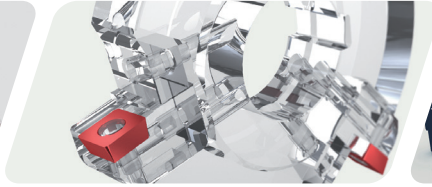
● in stock ○ on request

Notes

A large rectangular area filled with a grid of small, evenly spaced dotted lines, intended for writing notes.



PEOPLE



AMBITION



SYNERGY



HARRY HERSBACH TOOLS BV
specialist in machining tools

Nieuwe Waterwegstraat 5
3115 HE Schiedam

Tel. 010 20 40 680
info@hhtools.nl
www.hhtools.nl

Your distribution partner: